

Analog Electronic Circuits
Department of Electrical and Computer Engineering
Seoul National University

2014 Fall

D. K. Jeong

Quiz #5

December 3, 2014

Student ID number :

Student name :

1. The emitter follower of Fig.1 must be designed to drive $R_L=4\Omega$ with a voltage gain of 0.8. Determine I_1 , the maximum output voltage swing, and the power rating of Q_1 . $V_{CC}=5V$, $V_{EE}=-5V$, $V_A=\infty$, $\beta \gg 1$.

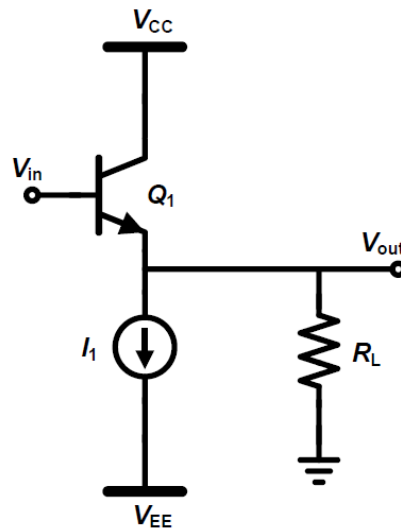


Fig. 1