

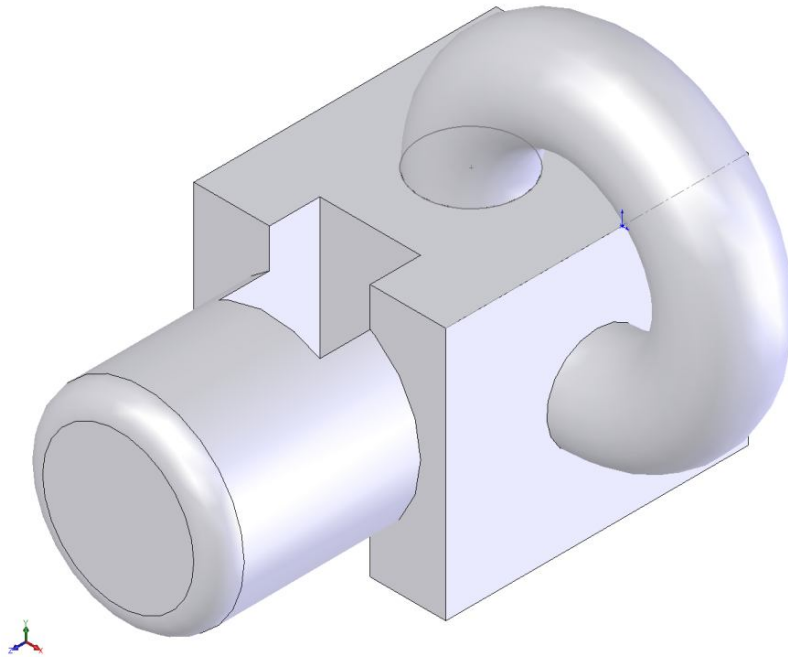
CAD 2009

Homework #3

Parasolid Kernel

Due Date: 2009.05.14. 23:00:00

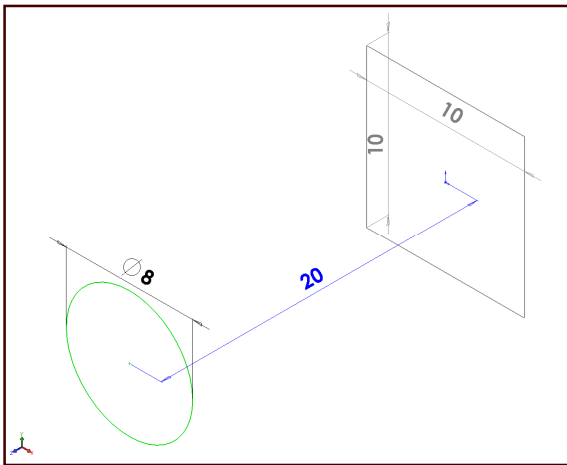
Modeling using PK Interface



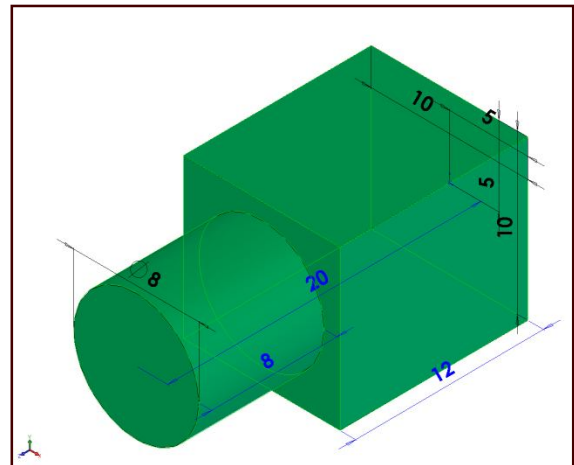
□ REQUIREMENT

- Modeling a same object as it is created with Solidworks using PK Interface
- Open Parasolid base-code
- Copy *MyCode.cpp* and *MyCode.h* into the source folder and modify *RunMyCode()*.
- Complete 6 steps(NEXT PAGE).
- The result of each step of your program should be same as that of the given *HW3_Parasolid.exe*.

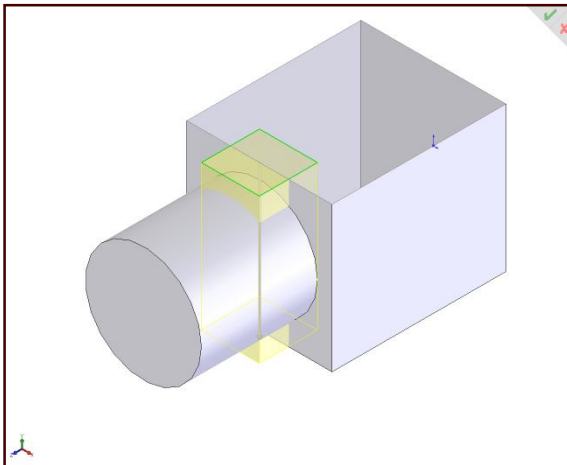
Procedure & Tip



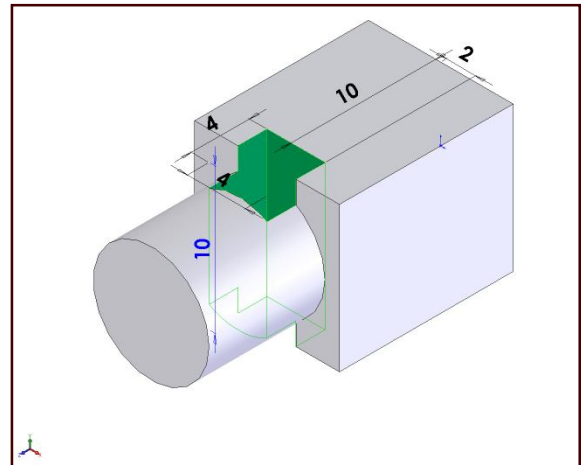
Step1: Make a rectangle sheet body and a circle sheet body.



Step2: Make two extruded bodies from sheet bodies. Unite them into ONE main body.

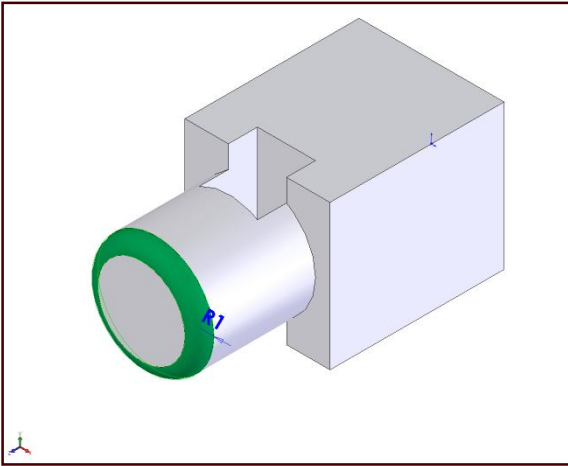


Step3: Make an extruded body for subtraction.

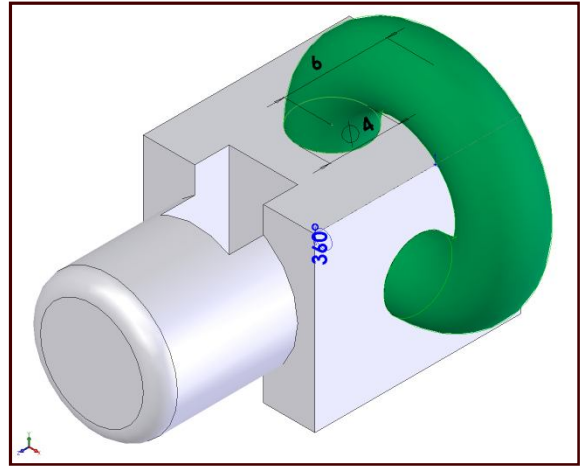


Step4: Subtract it from the main body.

Procedure & Tip



Step5: Make a fillet at the top circle edge of the main body. Radius of fillet is 1.0.



Step6: Create a sheet circle and spin it around an edge of the main body. Unite it to the main body.

- Refer to <http://cad.snu.ac.kr/parasolid>

Submission details

- Objects on demand:
 - ZIP Archive file for *Source* folder.
 - Release mode compiled execute file
 - Contain modified *MyCode.cpp*
 - Do not include *PSKERNEL.DLL*(too big)
 - Make a '**README.txt**' file for very short comments about the homework
 - Make a 'Zip' file name of '**HW2_(StudentID)_(NAME).zip**' which includes the *Source* folder and '**README.txt**' file

- Submit: <http://etl.snu.ac.kr/>
 - Due : May 14, 2009, 23:00:00
 - Upload to Assignment Board