

# CAD/CAM

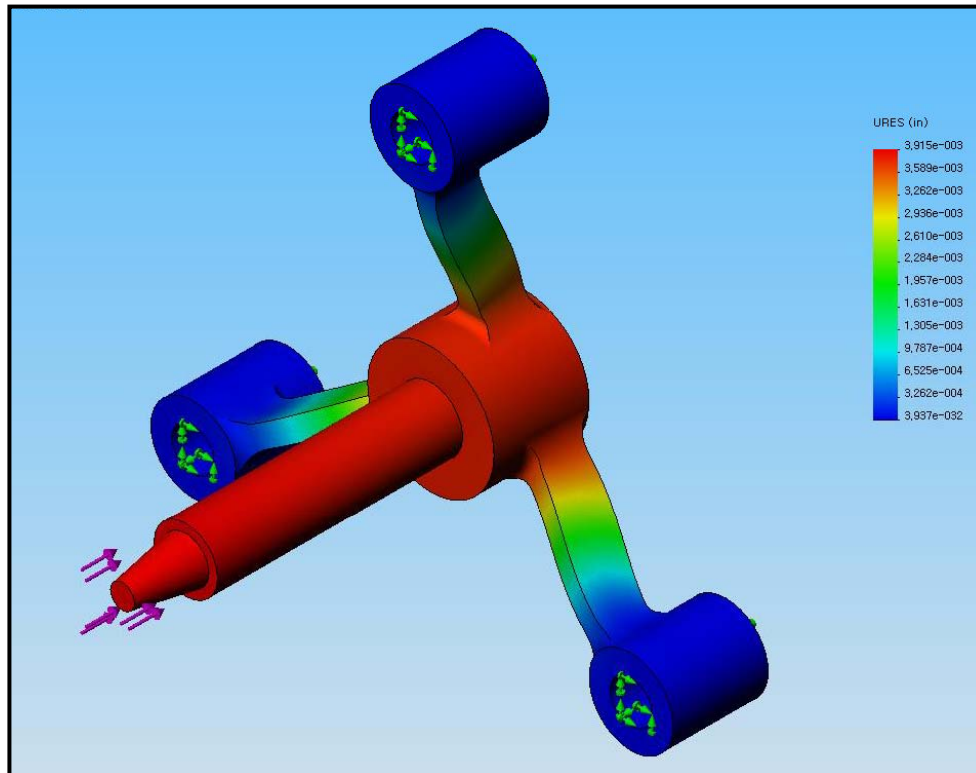
## Homework 3

---

COSMOSWorks

Due Date : 2009.10.14. 23:59:59

# Static Analysis



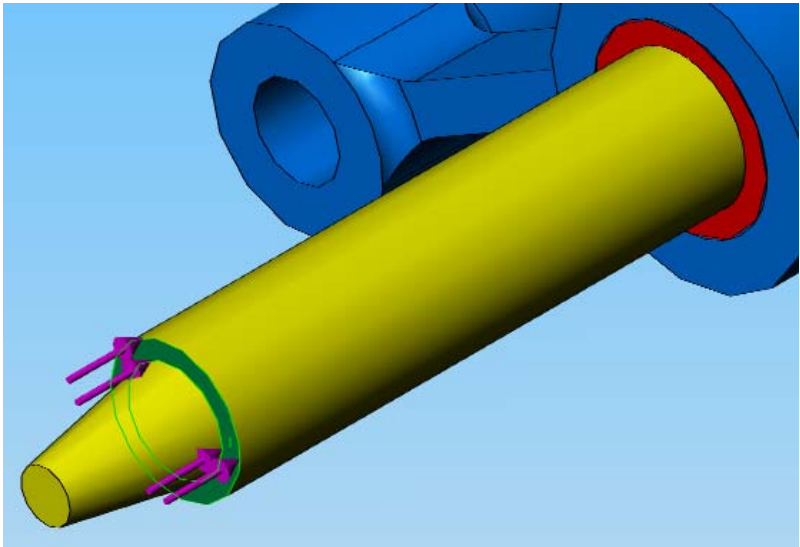
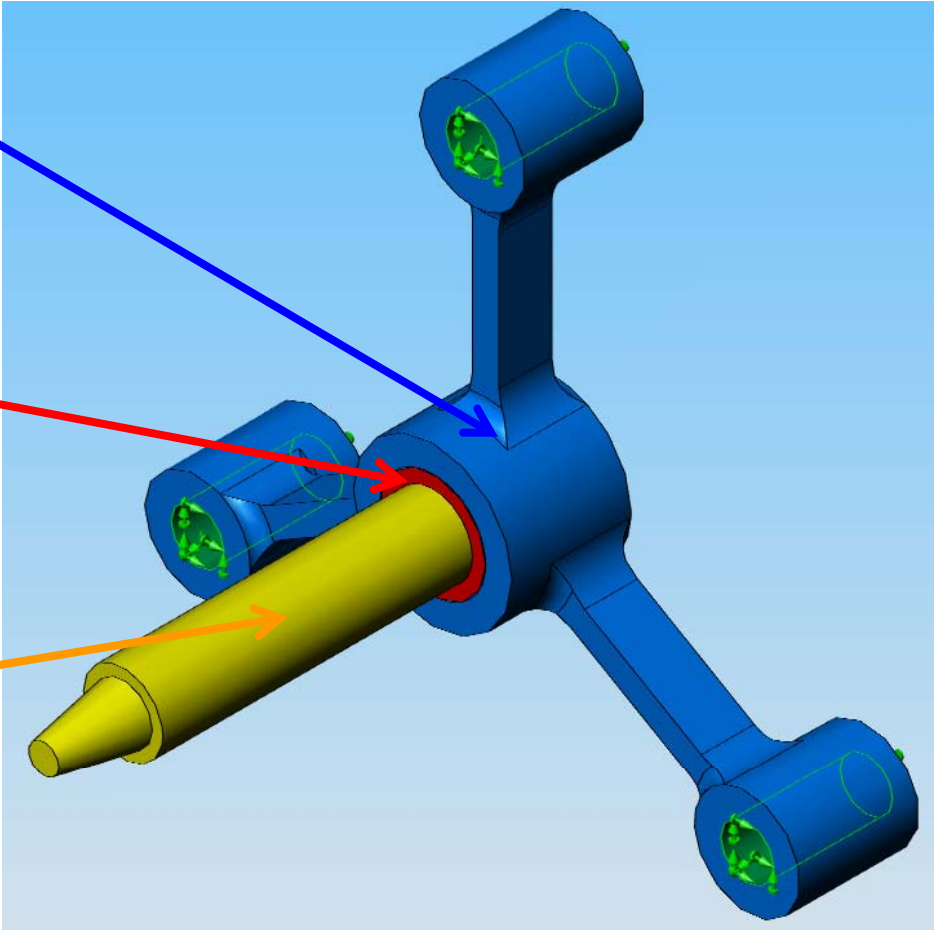
- REQUIREMENT:
  - Open FEM.SLDASM file
  - Make a Study [Static, Solid mesh]
  - Apply Material / Load / Restraint
    - Refer to NEXT Page
    - Use English(IPS) unit
  - Create Mesh [Global size : 0.2 in, Automatic transition]
  - Run the static analysis [FFEPlus]
  - Plot the stress [von Mises (psi)]
  - Generate a study report
    - Type your name in AUTHOR
    - Check Automatically update all plots in JPEG files

# Material / Load / Restraint

**Spider :**  
Aluminum 6061 Alloy

**Hub :**  
Gray Cast Iron

**Shaft :**  
Alloy Steel



**Restraints :**  
Fixed (3 faces)

**Forces :**  
300 lb (care for direction)

# Submission Details

---

- Due : Oct 14, 2009 23:59:59
  - Credit : 10 points
  - Delay penalty : 2 point per 24 hours.
  
- Objects on demand :
  - SolidWorks Assembly / Part files
  - Report file (save as xxx.mht)
  - Write a short REPORT.TXT file which describes your implementation.
  
- Submit : <http://etl.snu.ac.kr/>
  - You must compress above all files as a **Zip** file named "HW3\_student ID.zip"
  - Upload to Assignment Board (과제)
  - Ex) HW3\_200012345.zip
  - **Penalty for other formats!!!**
  
- Question :
  - E-mail : [kronic28@snu.ac.kr](mailto:kronic28@snu.ac.kr)
  - Tel : 02 - 880 - 7447