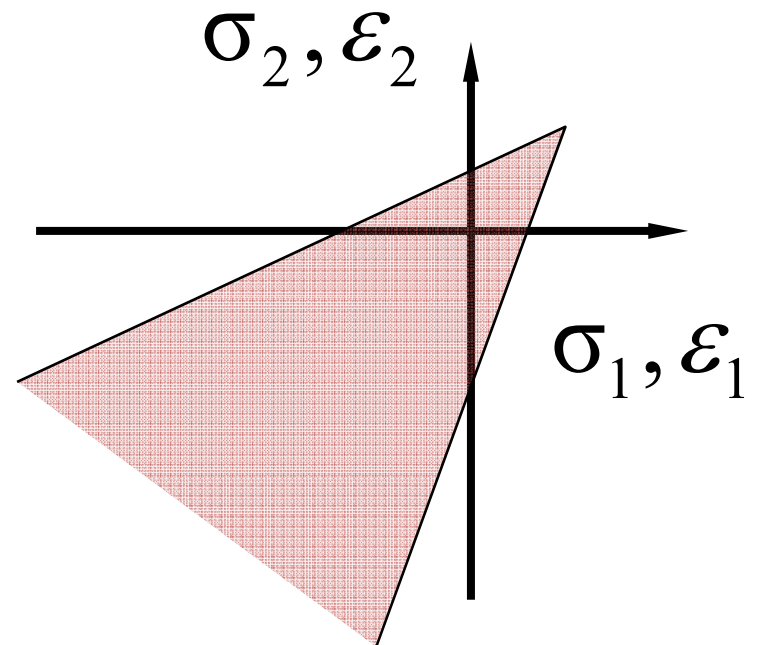
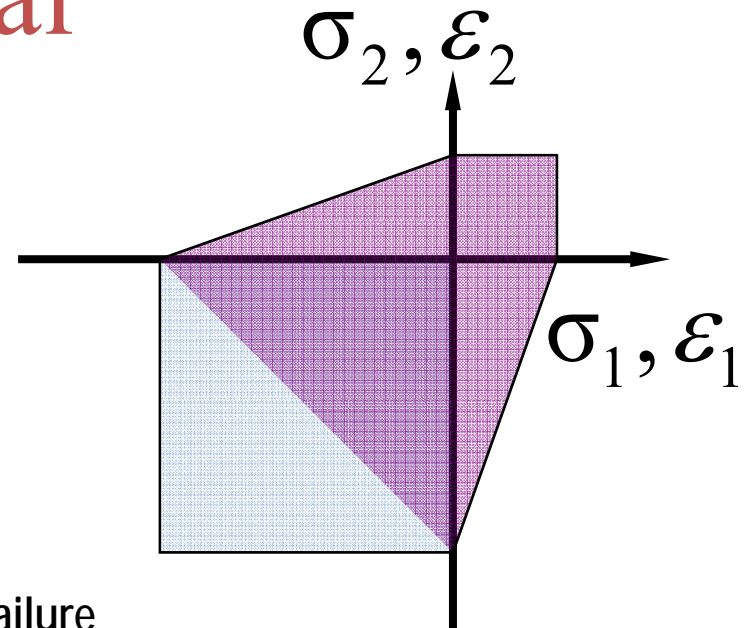
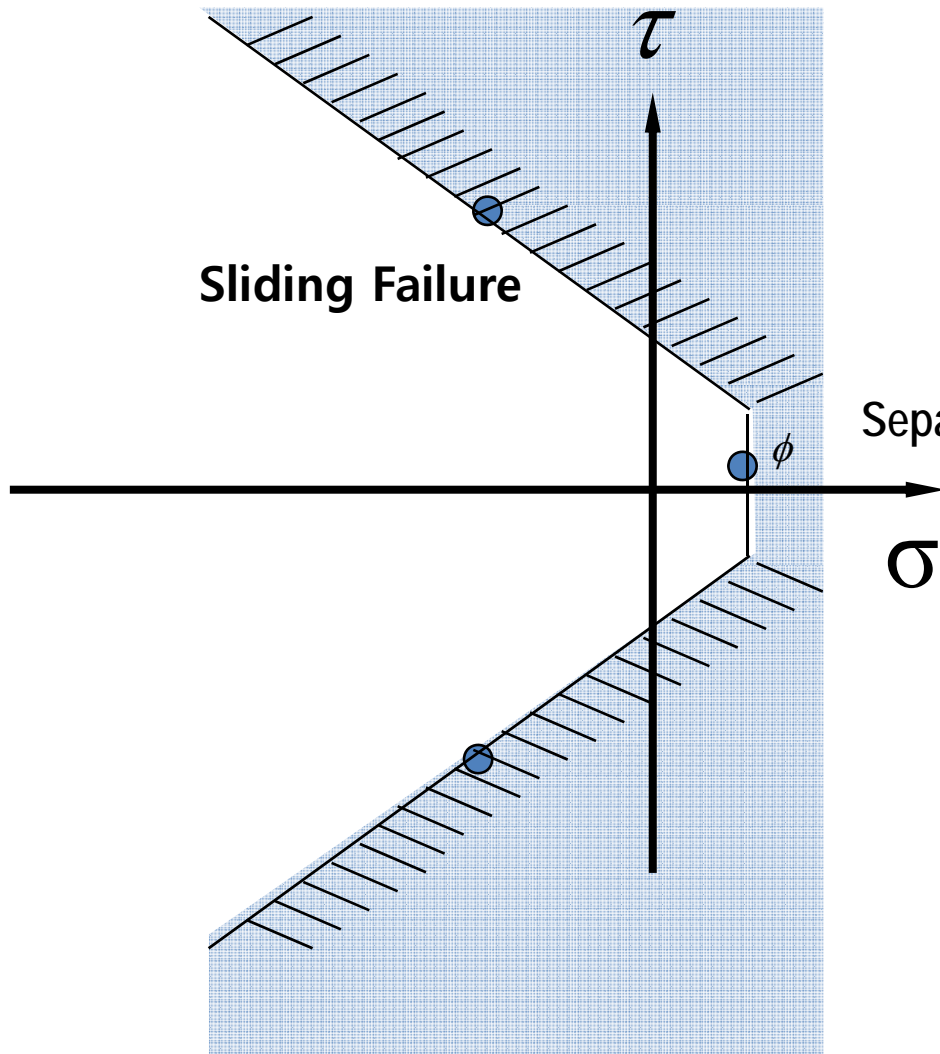


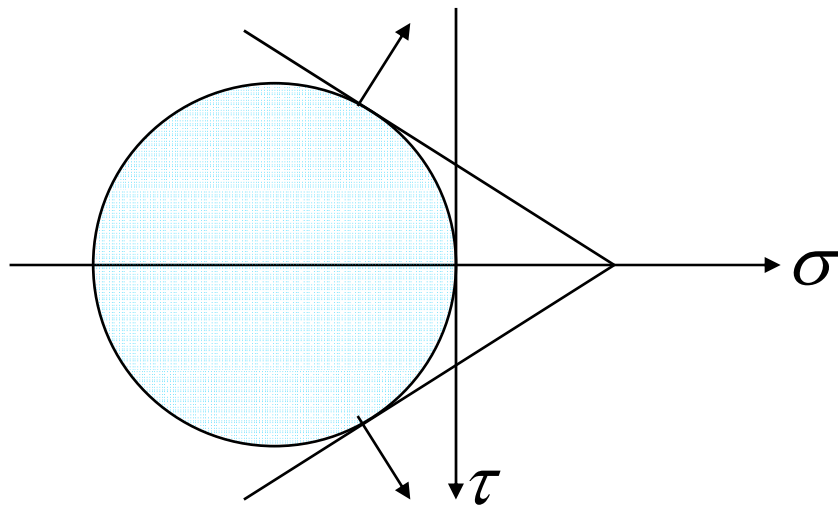
Yield Conditions

- Concrete
 - Frictional hypothesis
- Reinforcing bar
- Disks
- Slabs

Mohr Coulomb Material

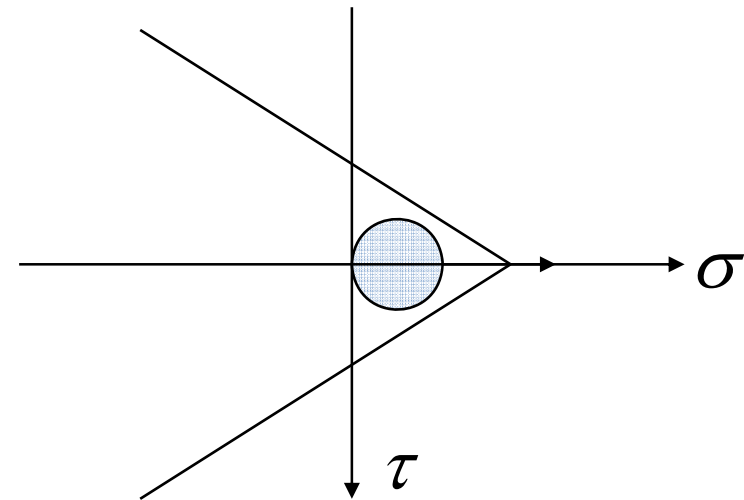


Determination of Parameters for More-Coulomb material

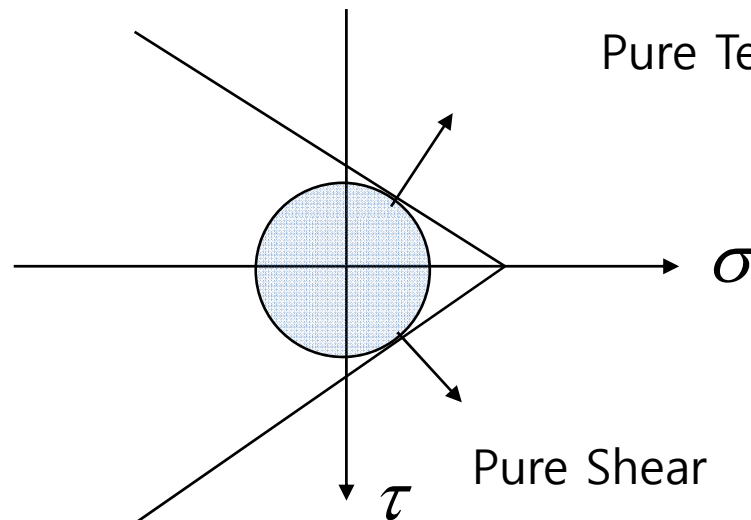


Pure Compression

$$k\sigma_1 - \sigma_3 = f_c$$

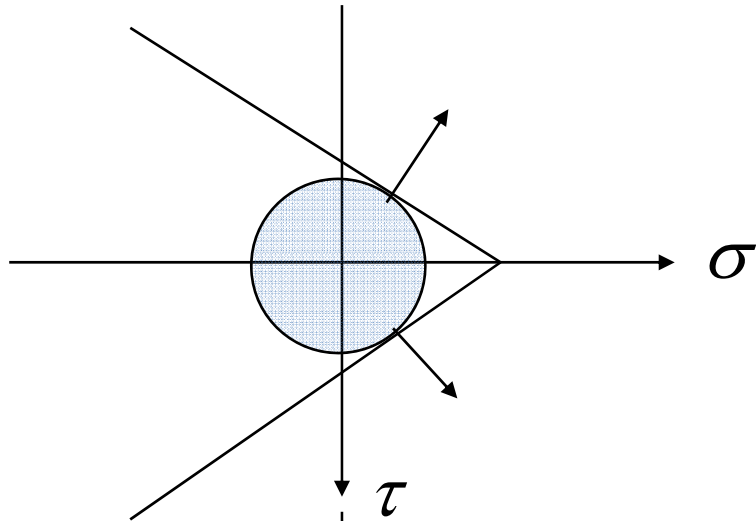


Pure Tension

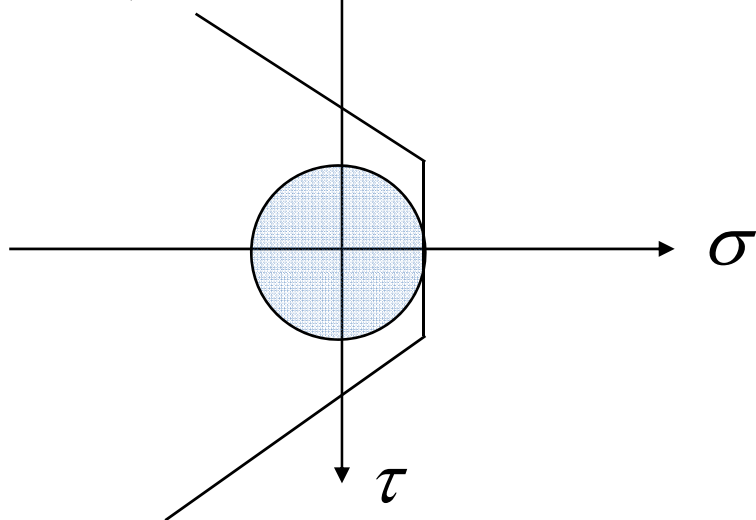


Pure Shear

Failure Modes in Pure Shear

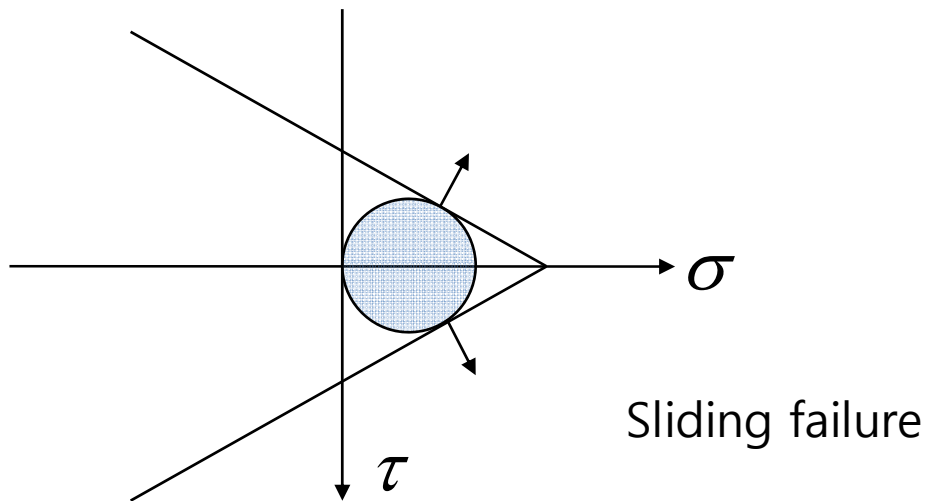
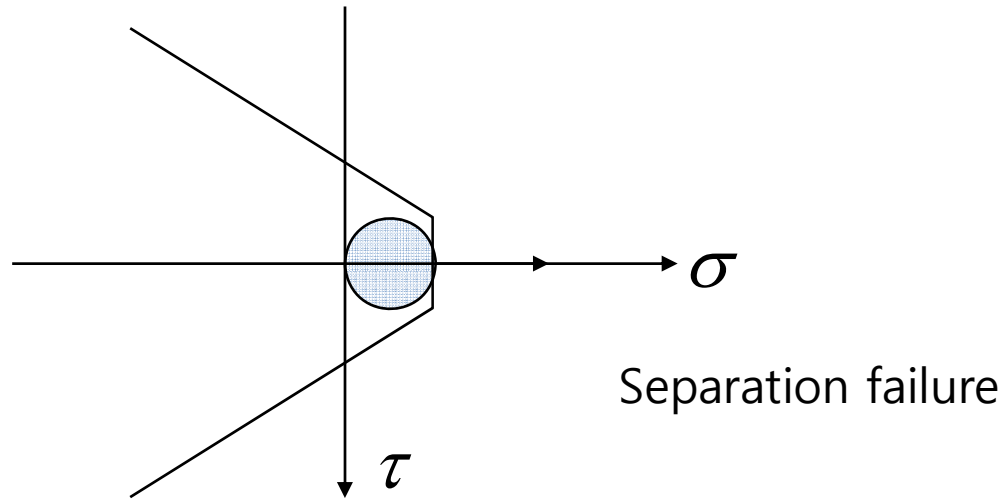


Sliding failure

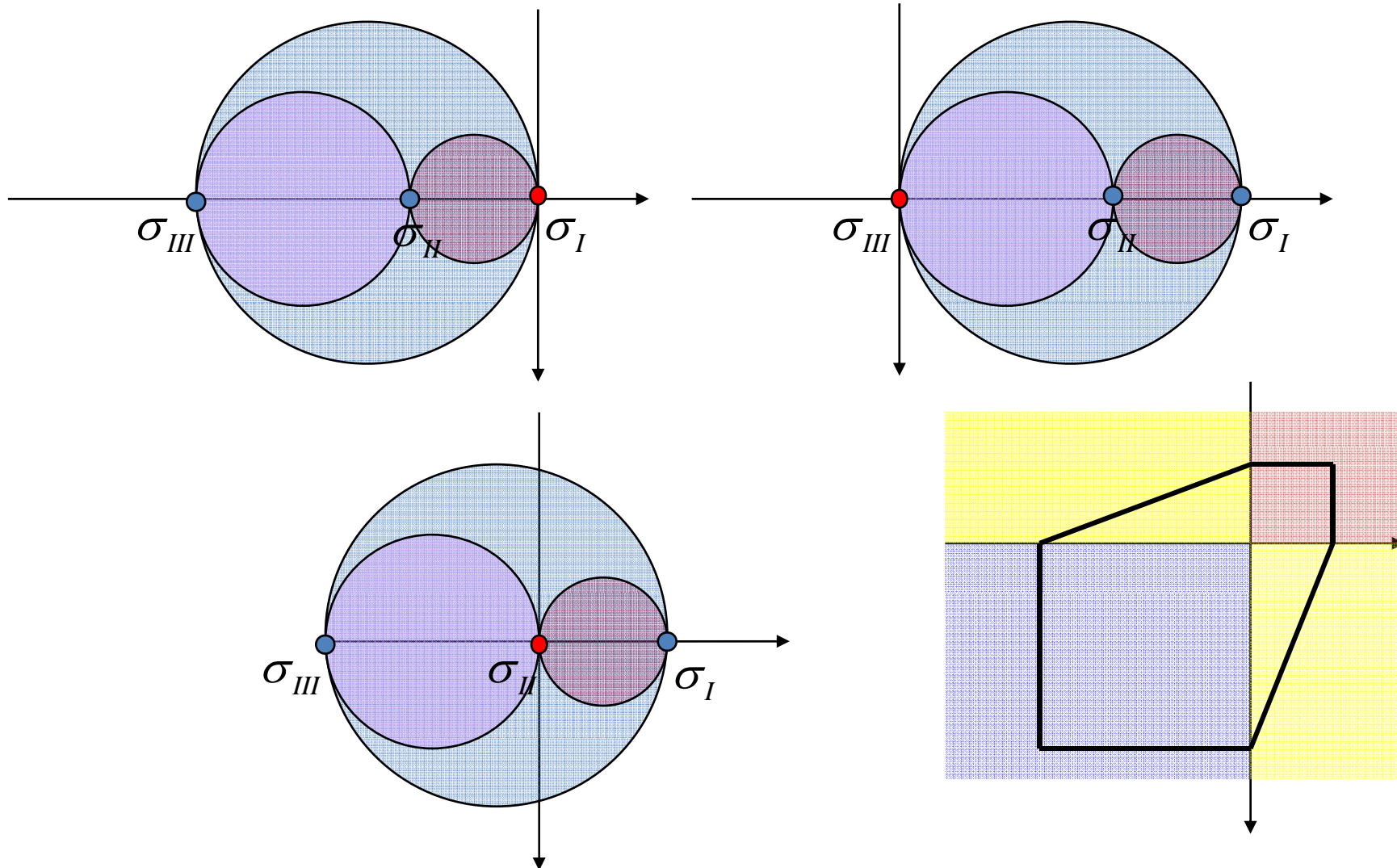


Separation failure

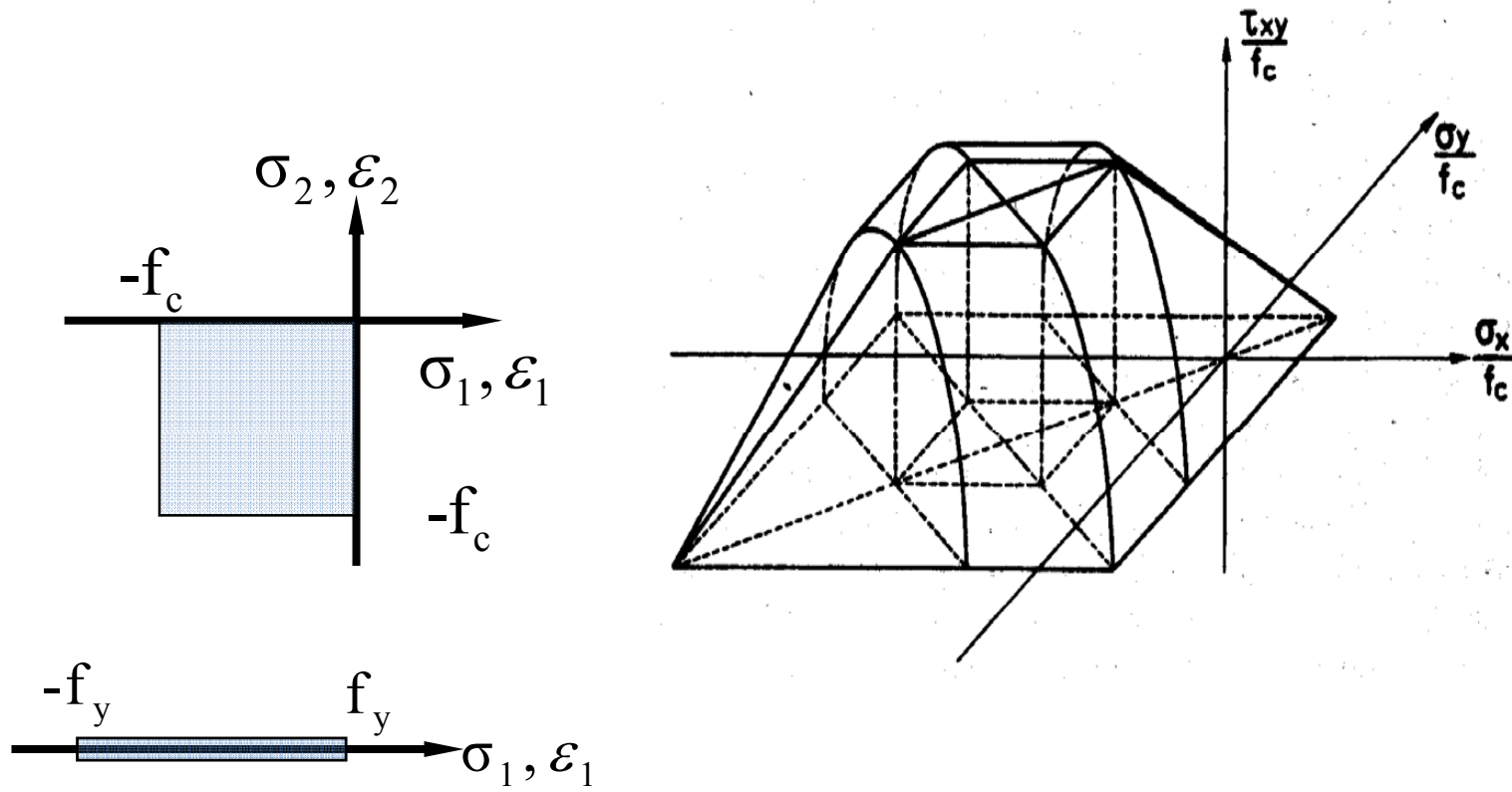
Failure Modes in Pure Tension



Yield Condition in Plane Stress



Yield condition for Disk



Disks in Plane Stresses

