

446.326A CAD/CAM

CATIA V5

NC Manufacturing Functions

October 29, 2007

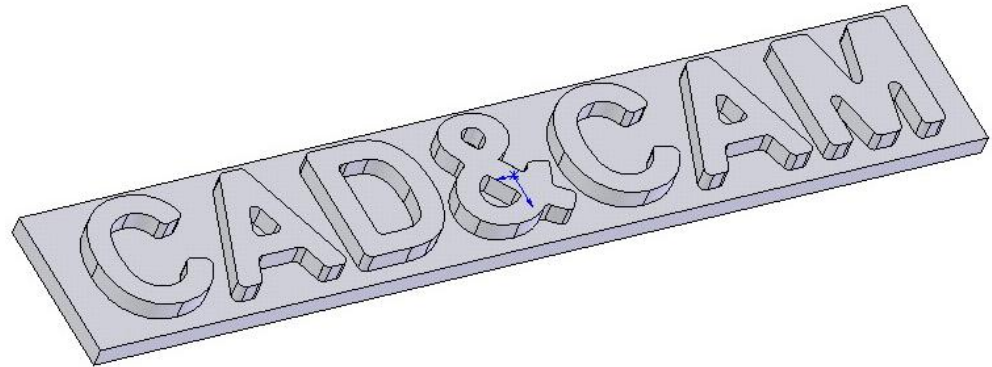
Professor Sung-Hoon Ahn

TA: Young-Sun Hong

School of Mechanical and Aerospace Engineering
Seoul National University

Contents

- **Model File Exchange**
- **CATIA V5 - NC Manufacturing Function**
 - Contouring
 - Face milling
 - Pocketing



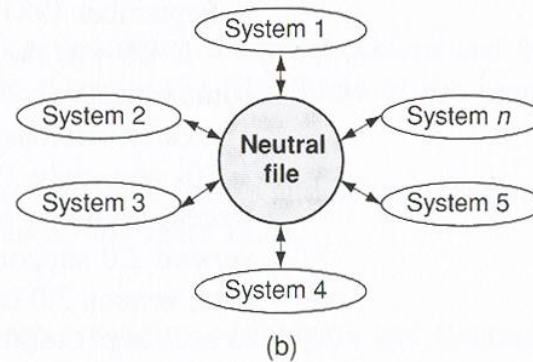
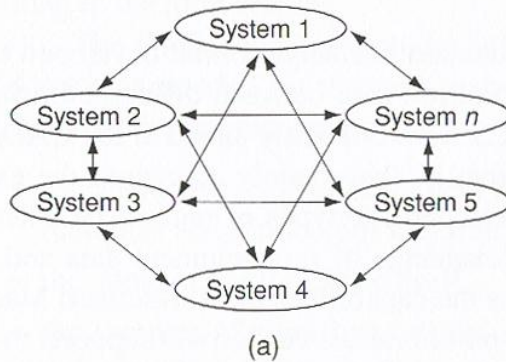
Lecture Materials



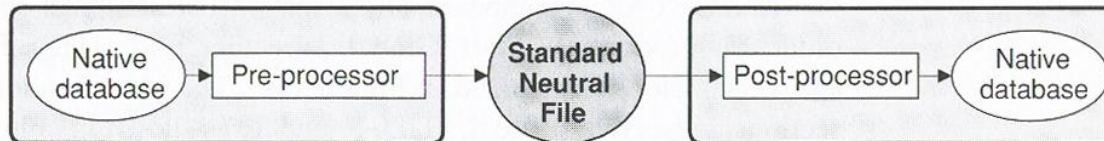
- **Download from the class web page**
 - "CATIA NC Setting.pdf"
 - "CADCAM_Part.sldprt" (solidworks model)

Model File Exchange

- File exchange among heterogeneous systems



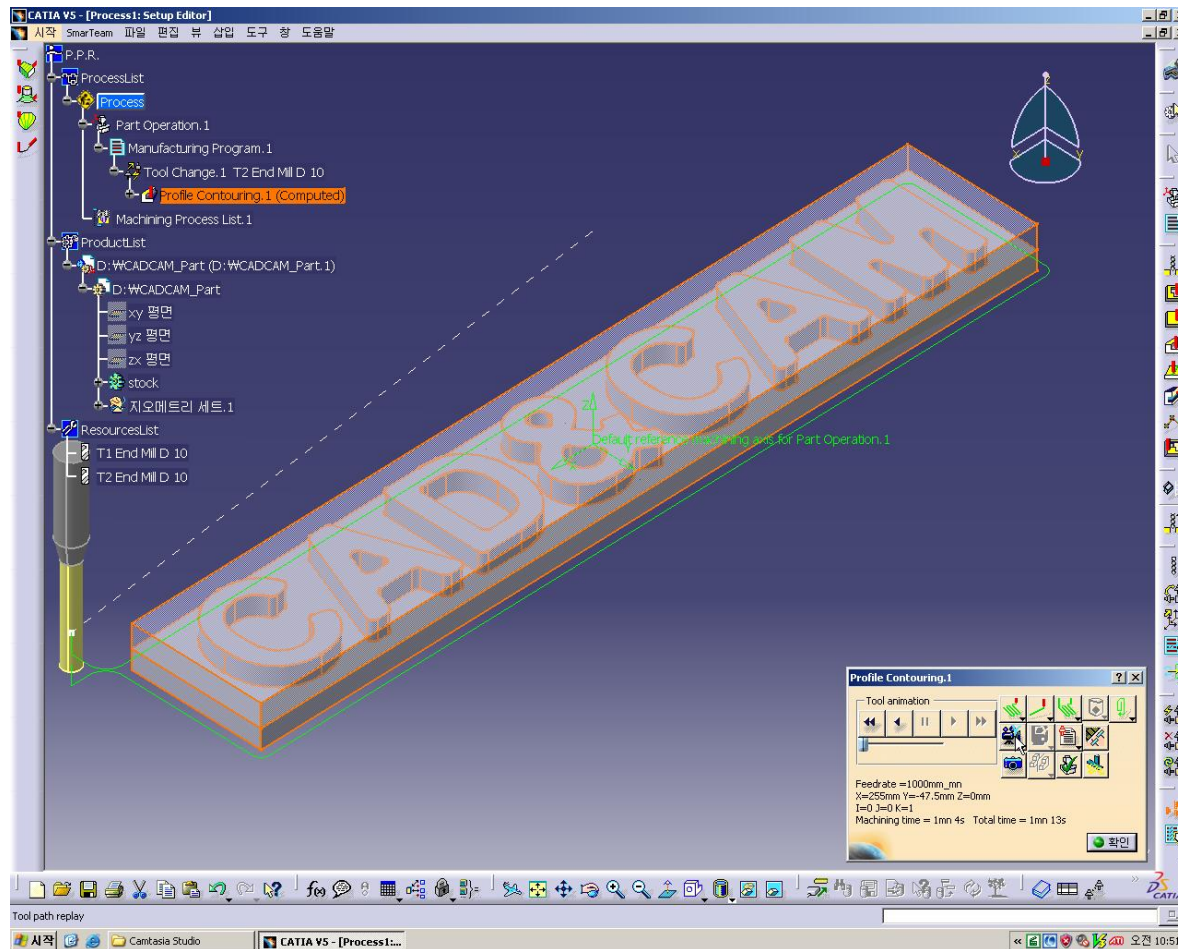
- Example**



- Open "CADCAM_Part" file on SolidWorks

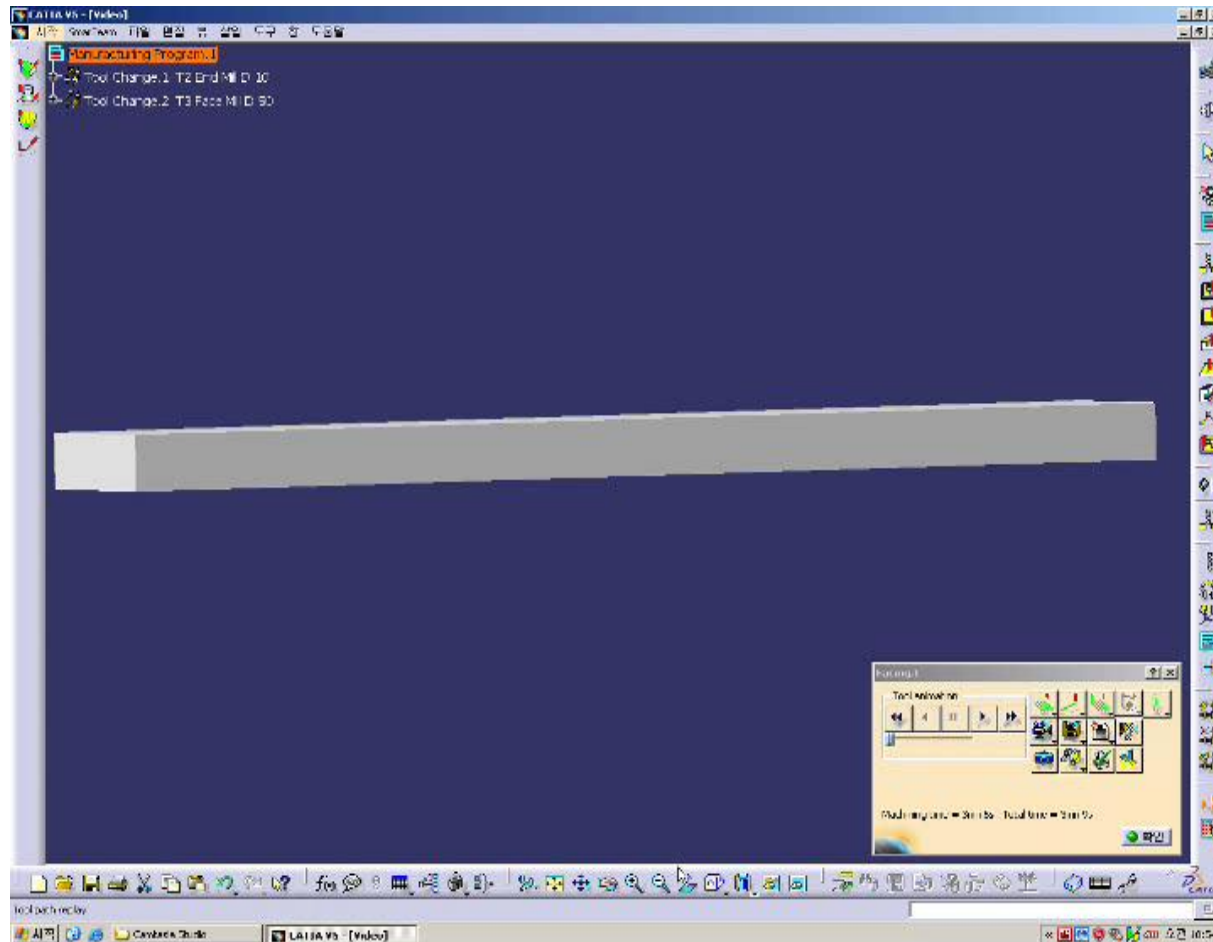
Prismatic Machining

Contouring



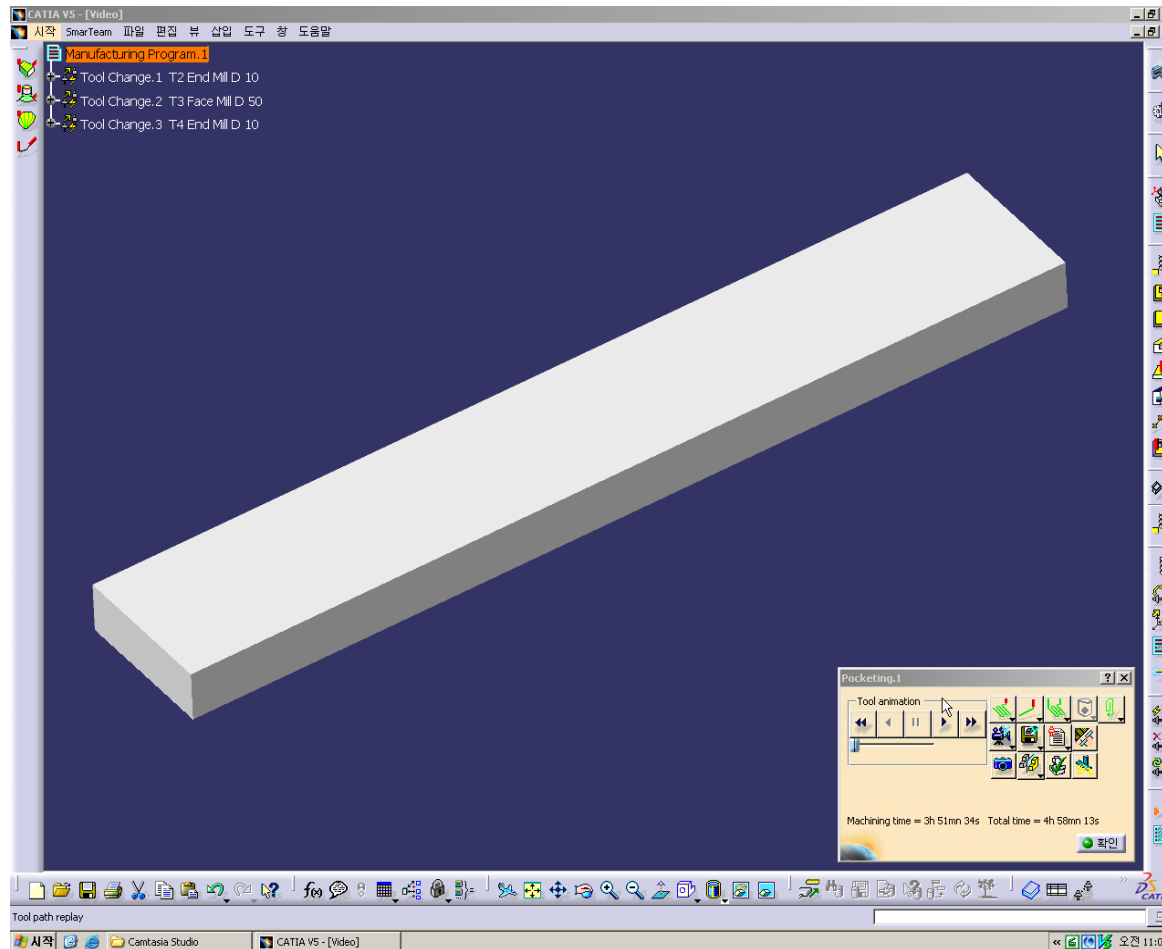
Prismatic Machining (cont.)

- Face milling



Prismatic Machining (cont.)

▪ Pocketing



Homework

- **Will be posted on the web page**

