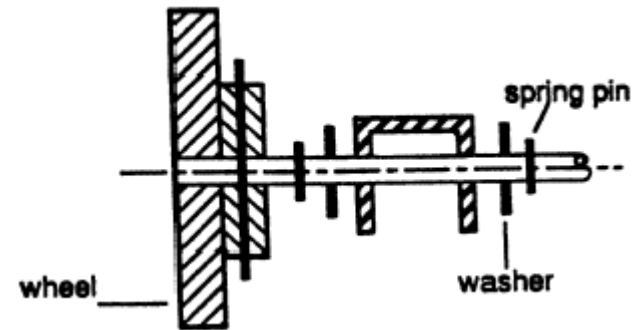
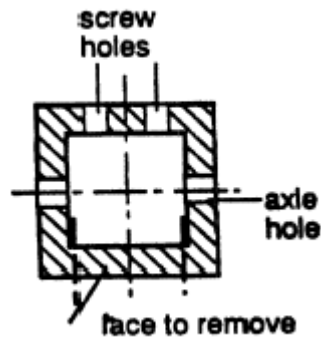
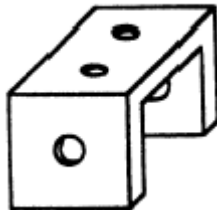
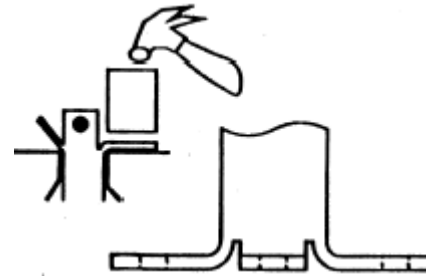
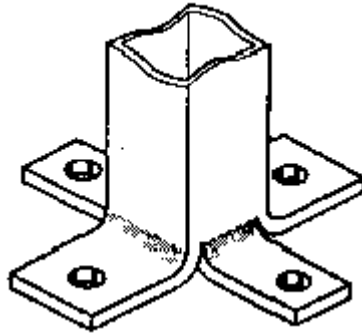

Machine Cooking

**School of Mechanical and Aero. Eng.
Seoul National University**

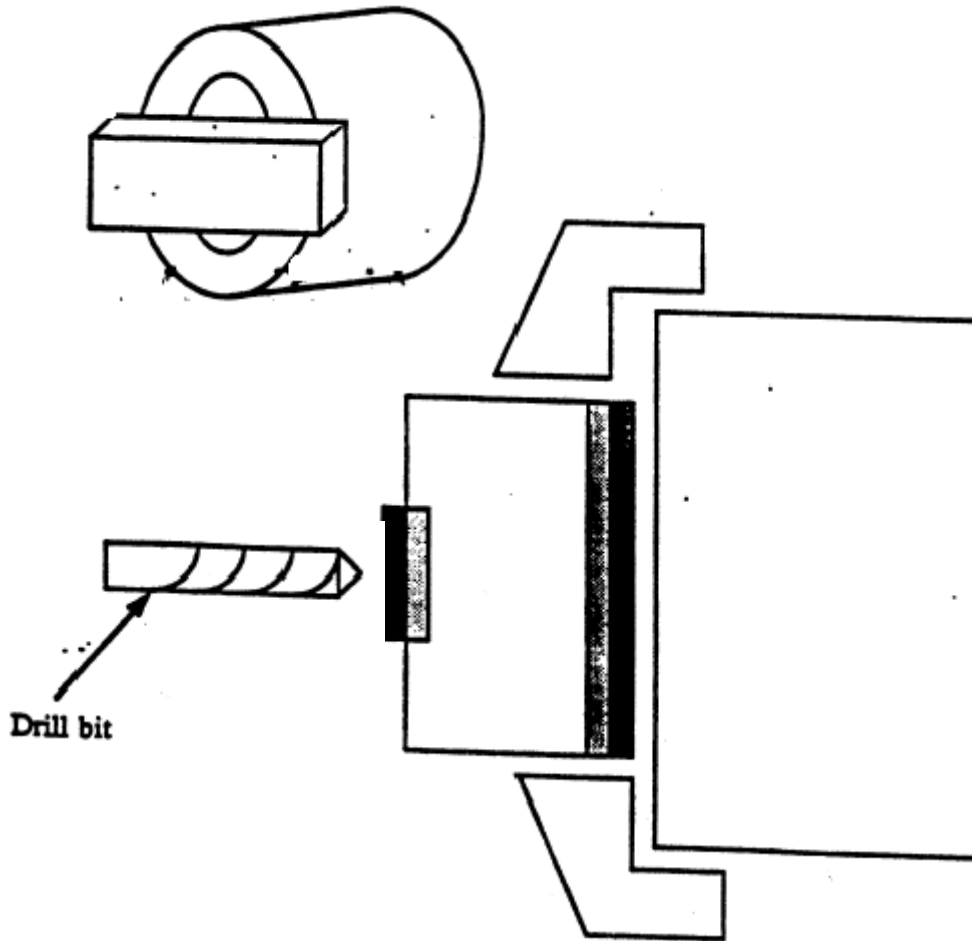
Chong Nam Chu

Aluminum bar

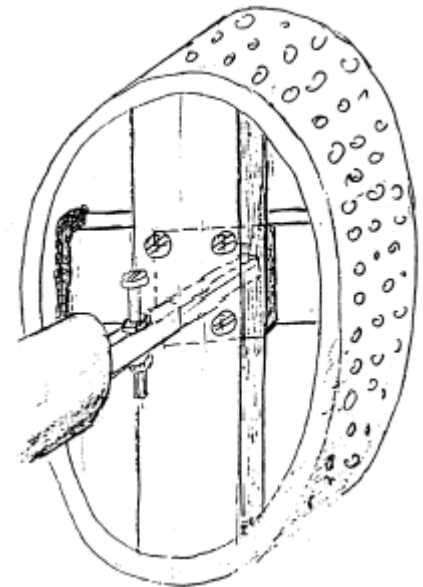
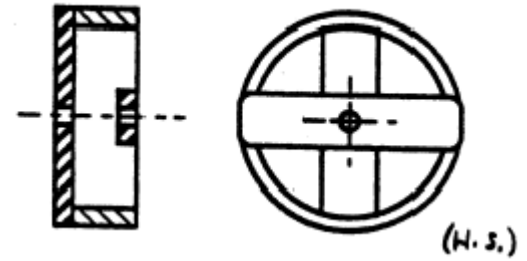
COLUMN BASE



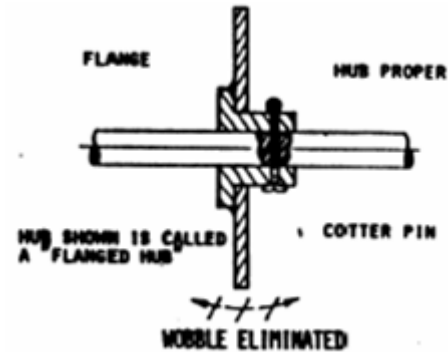
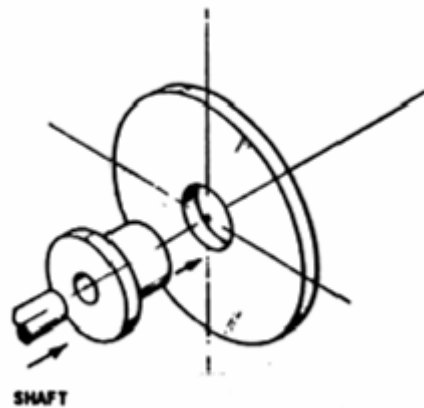
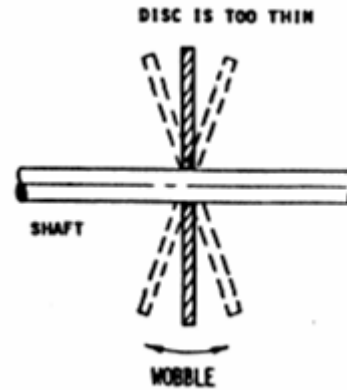
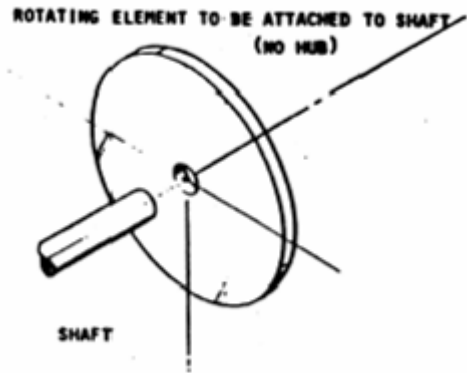
Wheel



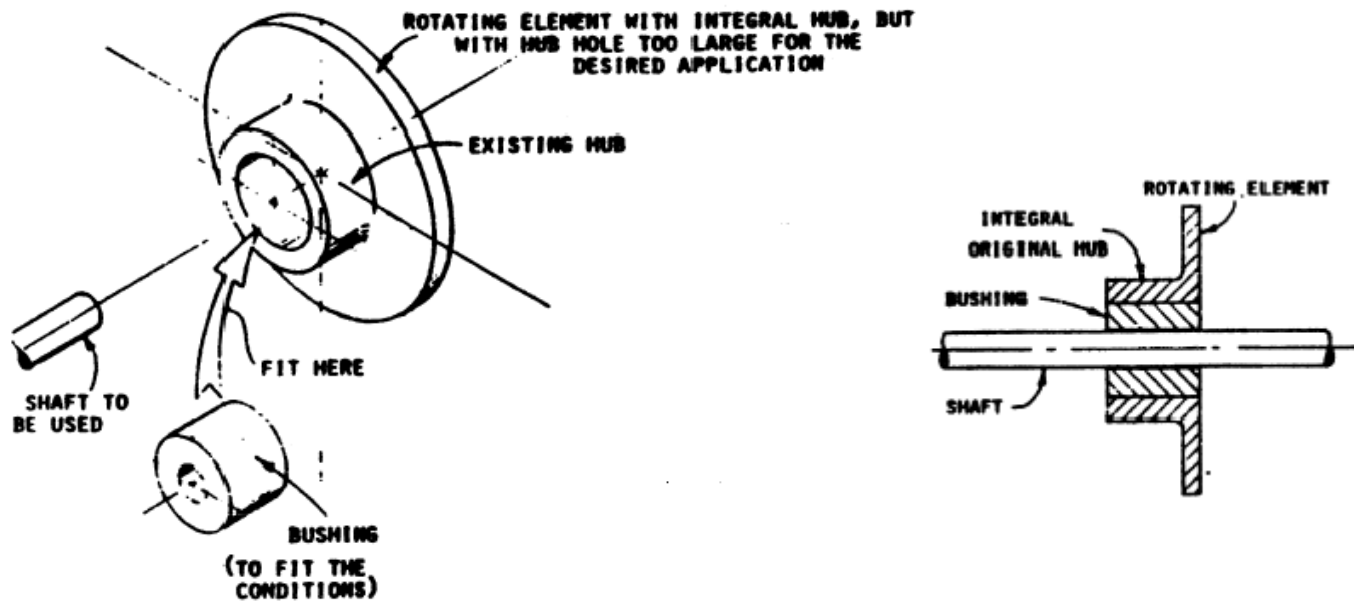
spoked wheel (section and side view)



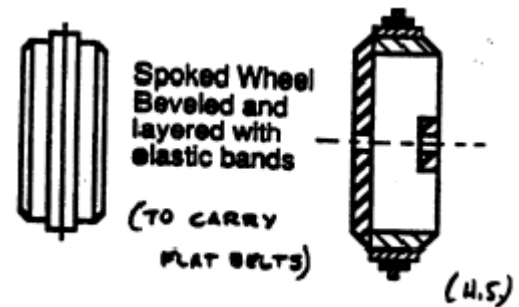
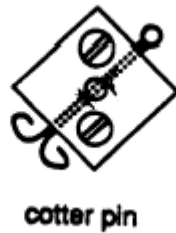
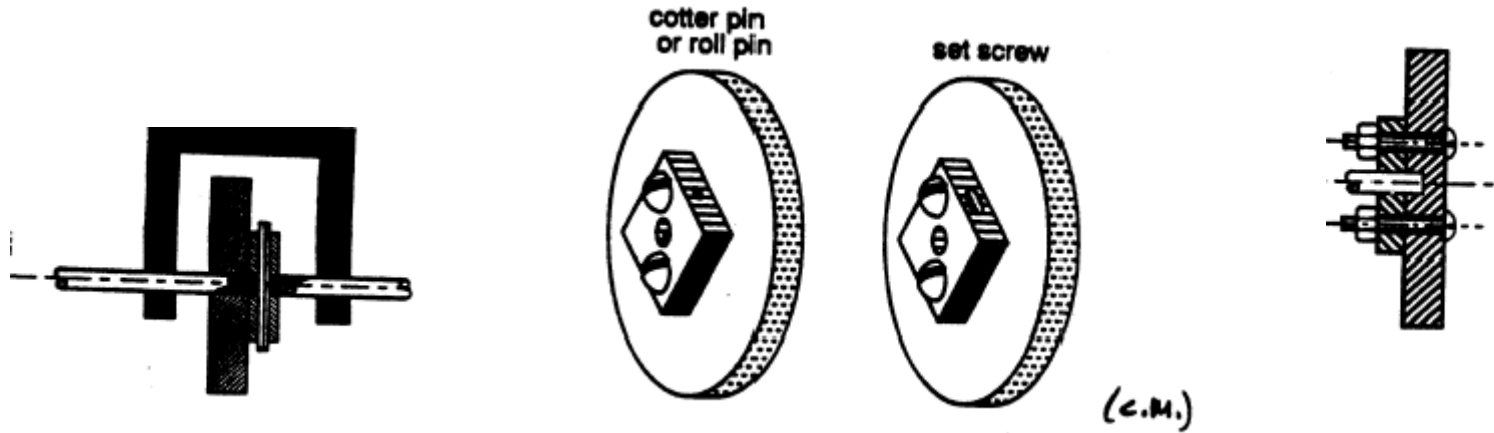
Wheel hub



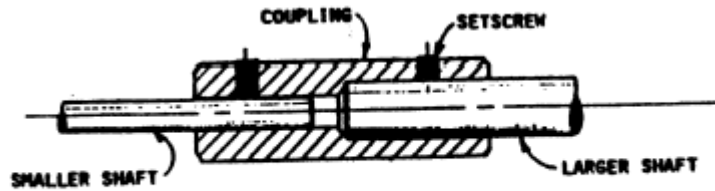
Wheel bushing



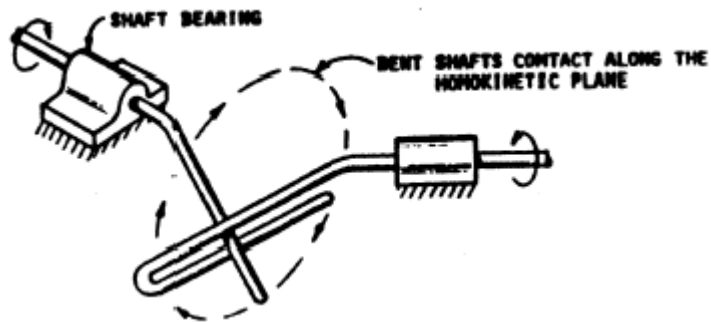
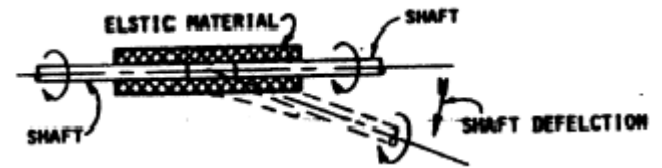
Wheel examples



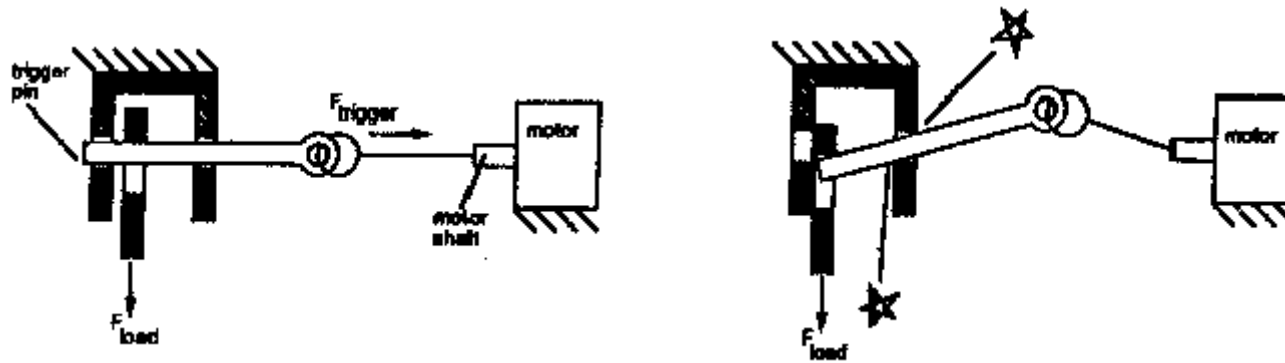
Coupling



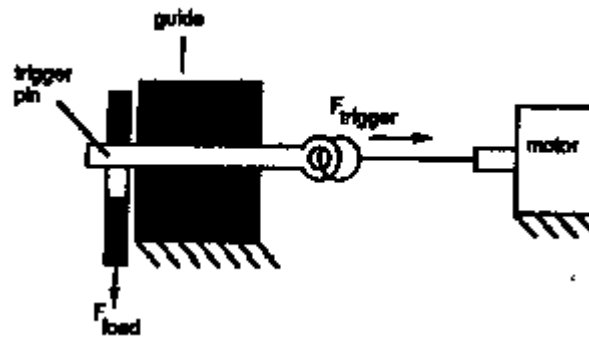
RIGID COUPLING FOR SHAFTS OF DIFFERENT DIAMETERS



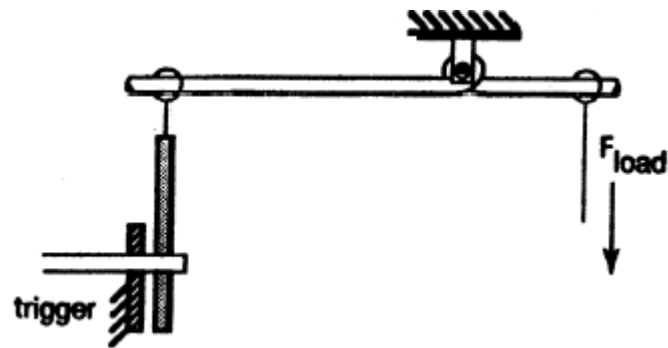
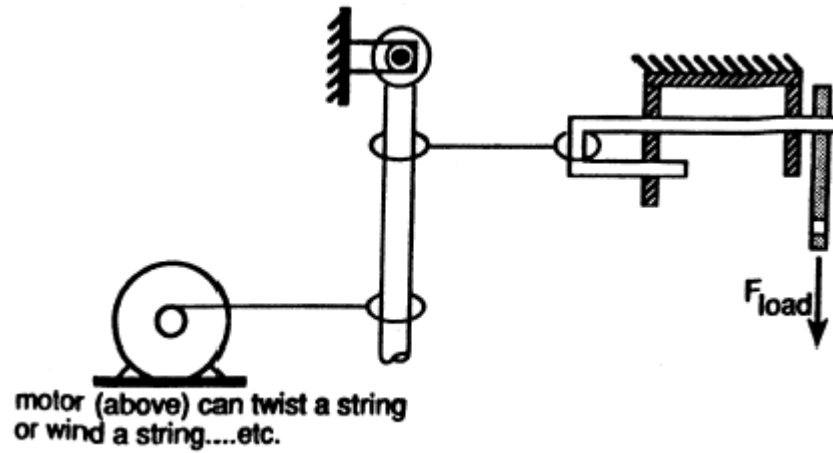
Trigger



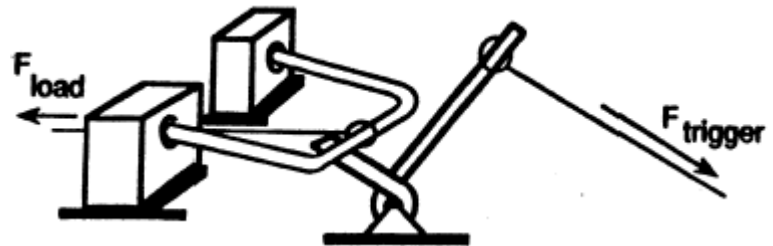
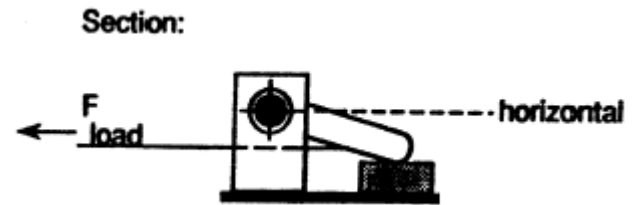
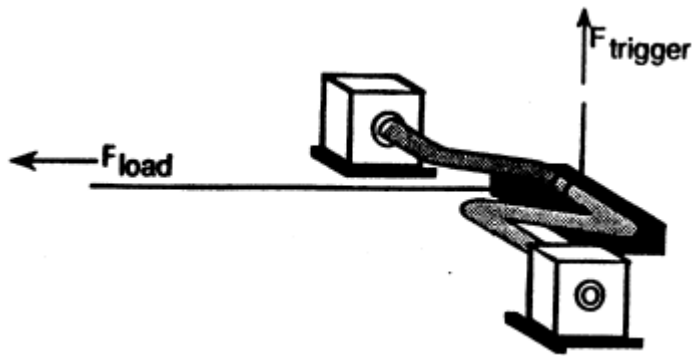
Trigger that doesn't:



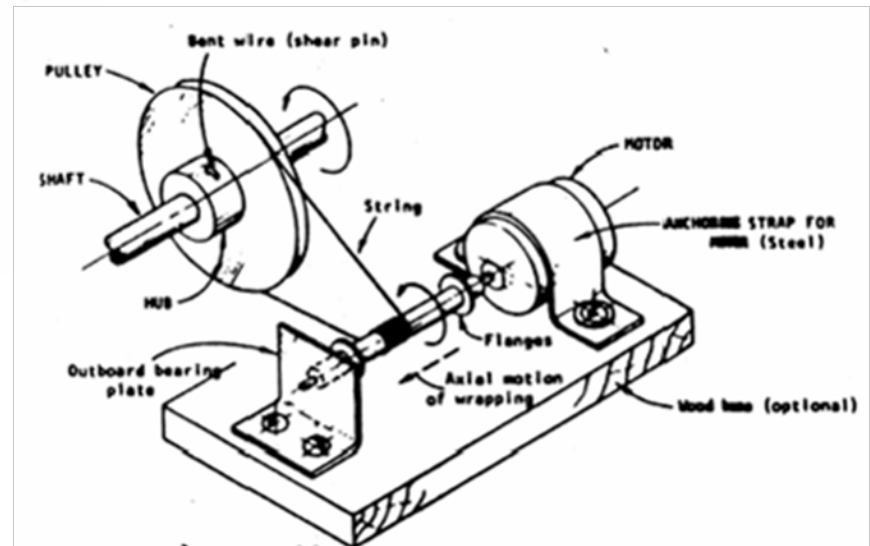
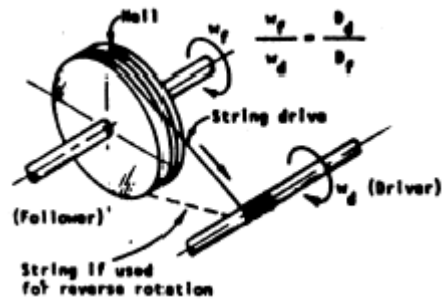
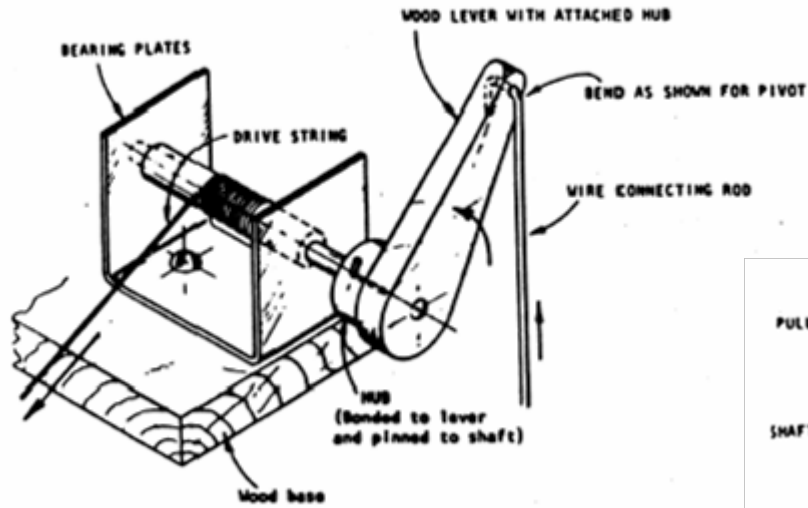
Trigger



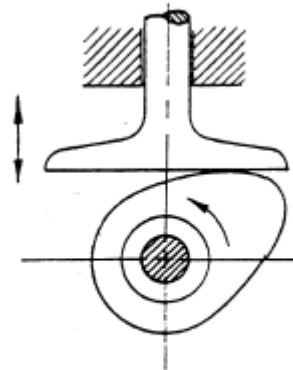
Trigger



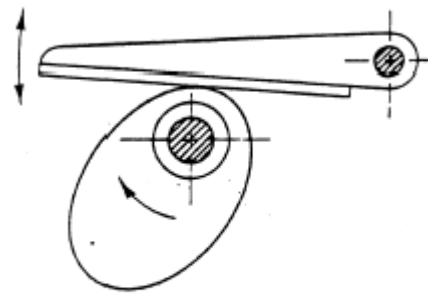
Wire drive



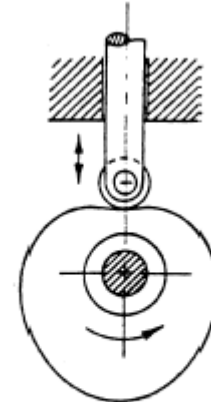
Cam



Flat follower
automotive-type cam



Pivoted flat
follower



Roller follower
heart-shaped cam.
Used in sewing
machines.

Air cylinder

