

Chapter 10

Interorganizational LBS Operation

10.1 LBS Supply Chain

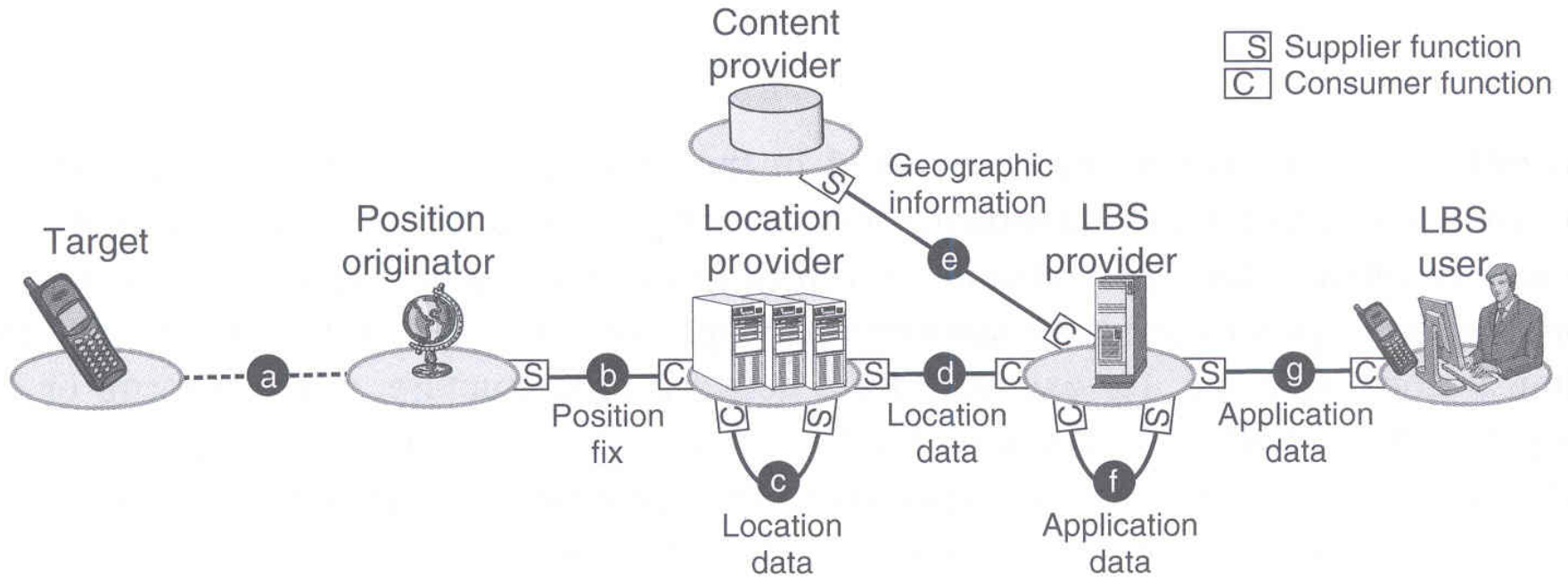


Figure 10.1 LBS supply chain.

- **Target**
- **Position originator**
- **Location provider**
- **LBS provider**
- **Content provider**
- **LBS user**

10.2 Scenarios of the LBS Supply Chain

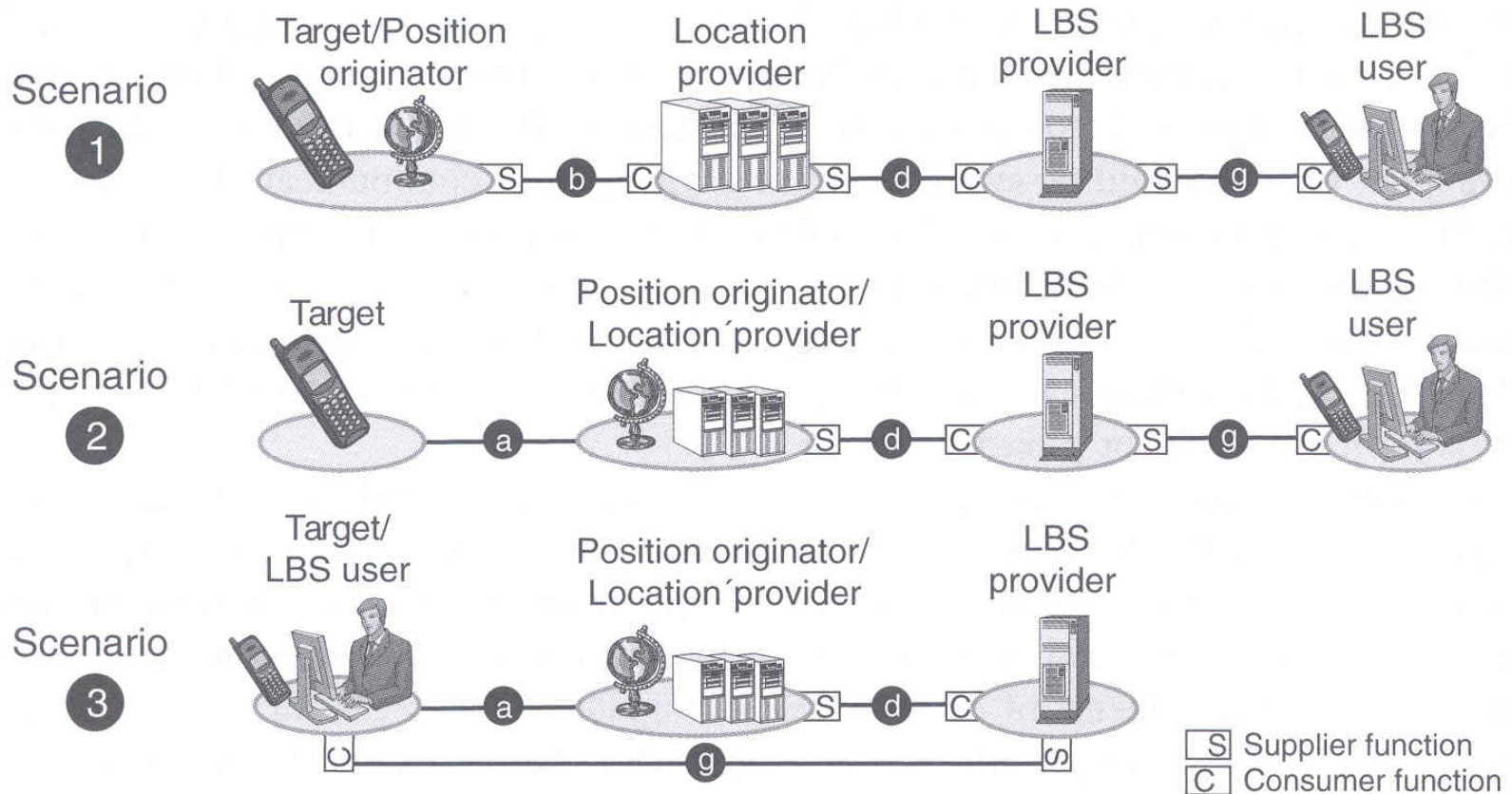


Figure 10.2 Supply chain scenarios 1–3.

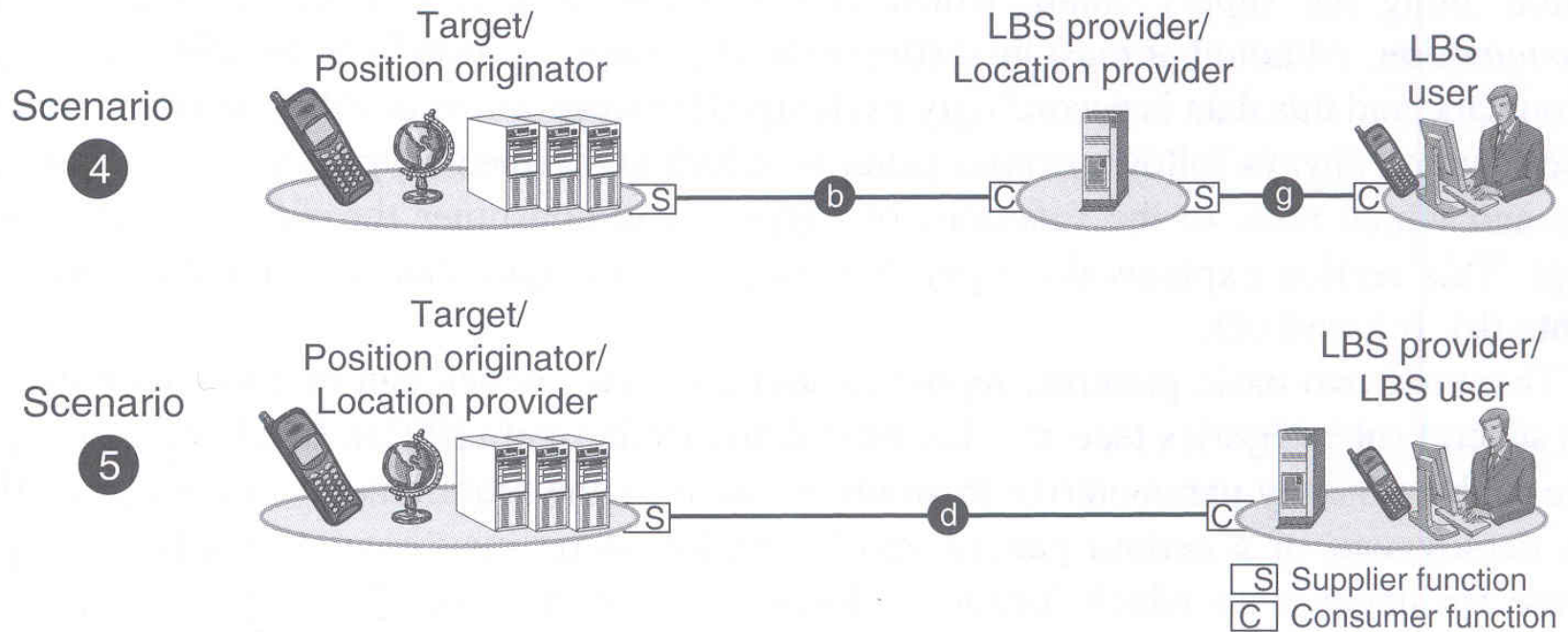


Figure 10.3 Supply chain scenarios 4 and 5.

10.3 Supplier/Consumer Patterns for Location Dissemination

10.3.1 Querying

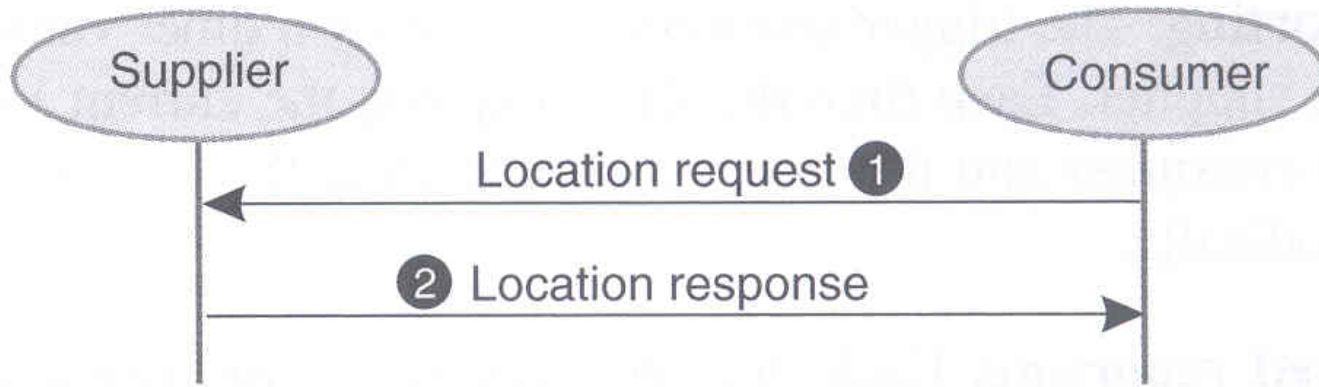


Figure 10.4 Sequence diagram for querying.

10.3.2 Reporting

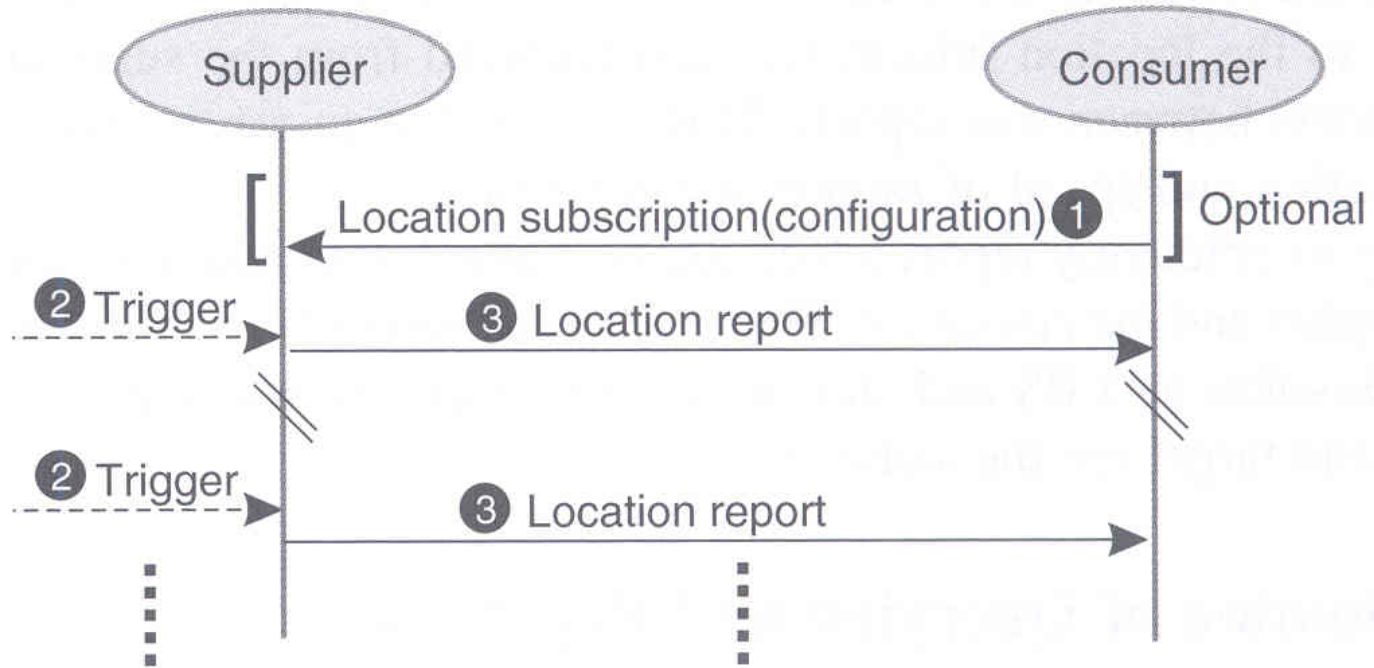


Figure 10.5 Sequence diagram for reporting.

- **Immediate reporting**
- **Periodic reporting**
- **Distance-based reporting**
- **Zone-based reporting**

10.3.3 Evaluation of Querying and Reporting

10.4 Privacy Protection

10.4.1 Characteristics of Privacy Protection for LBSs

10.4.2 Definition of Privacy

- **Anonymity**
- **Solitude**
- **Intimacy**
- **Reserve**

10.4.3 Concepts and Mechanisms for Privacy Protection

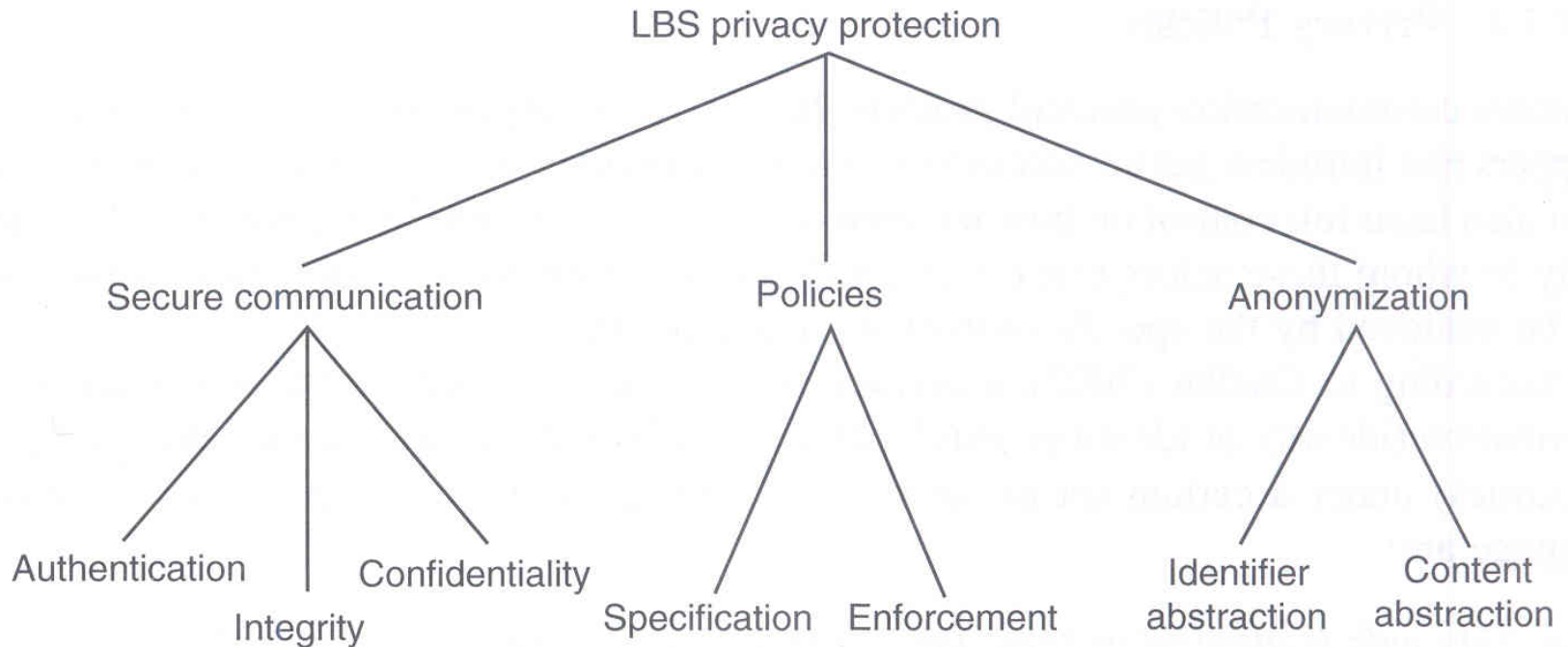


Figure 10.6 Overview of LBS privacy protection.

10.4.3.1 Secure Communications

10.4.3.2 Privacy Policies

- **Actor constraints**
- **Service constraints**
- **Time constraints**
- **Location constraints**
- **Notification constraints**
- **Accuracy constraints**
- **Identity constraints**

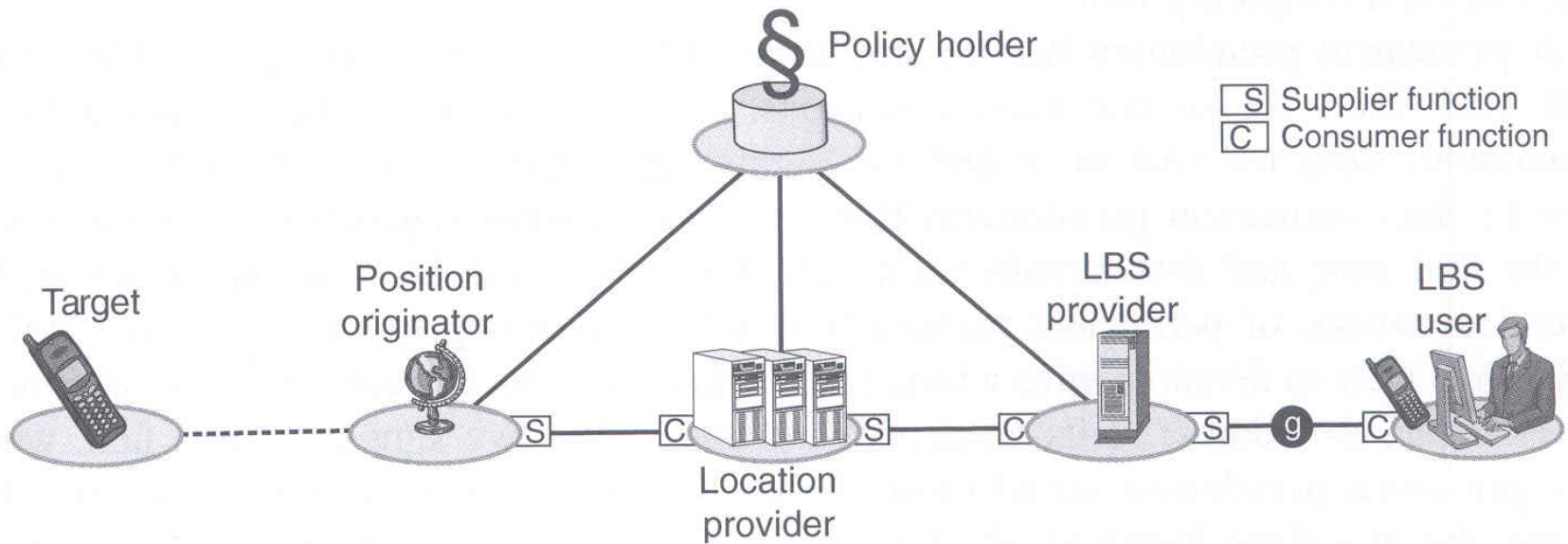


Figure 10.7 Integration of policy holder into the LBS supply chain.

10.4.3.3 Anonymization

Identifier abstraction

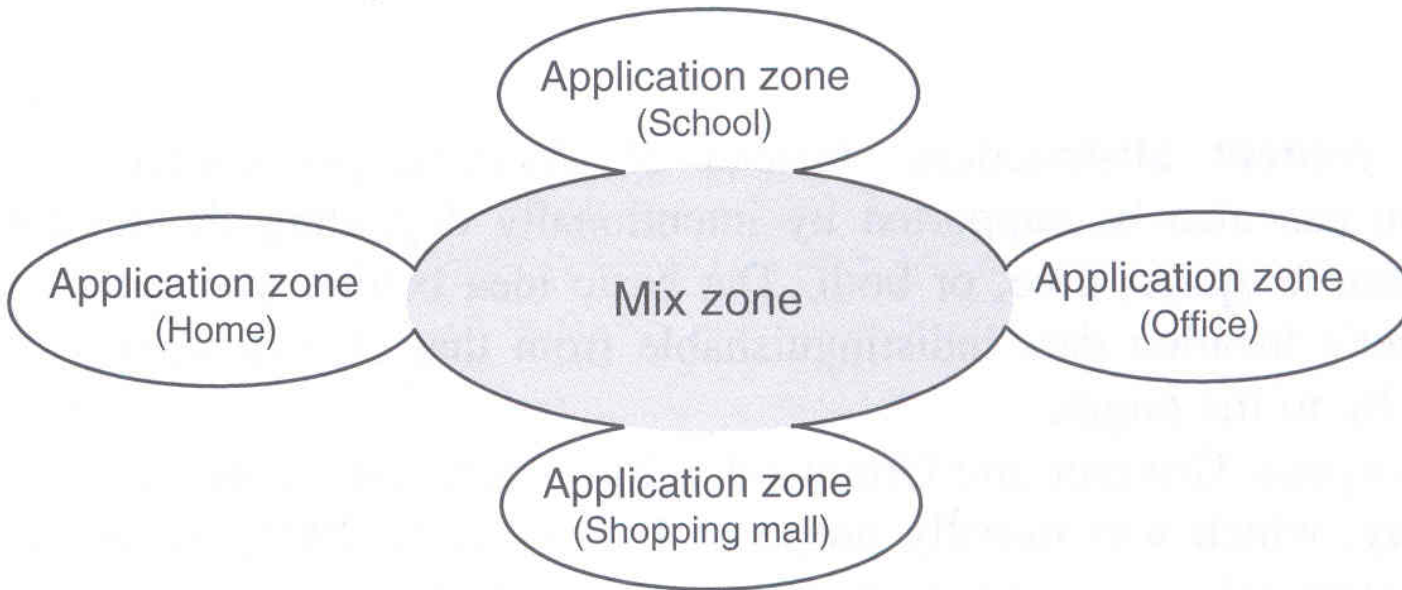


Figure 10.8 Arrangement of mix and application zones.

Information content abstraction

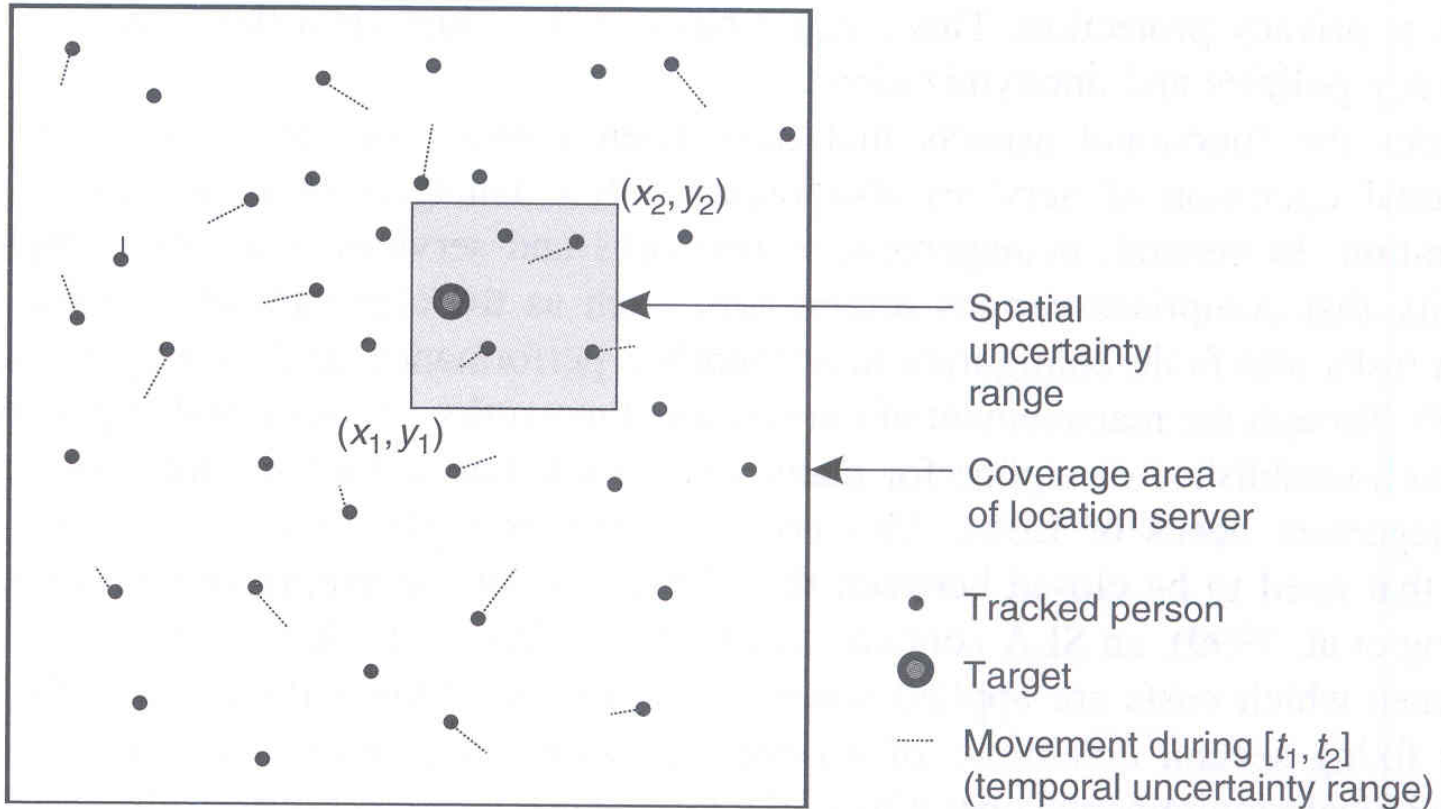


Figure 10.9 k -anonymity in the spatial and temporal domain for $k = 5$.

10.5 Conclusion