

Analog Electronic Circuits
Department of Electrical and Computer Engineering
Seoul National University

2014 Fall

D. K. Jeong

Quiz #1

September 17, 2014

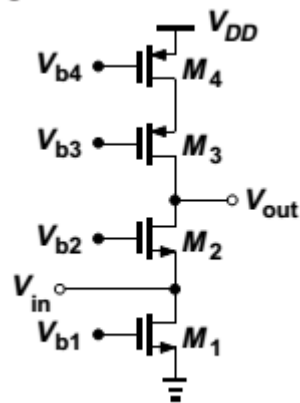
Student ID number :

Student name :

Using specifications and parameters below, answer the following questions.

(A full credit will not be given without the explanation.)

(Q) Due to a manufacturing error, a CMOS cascode amplifier has been configured as shown in below. Calculate the voltage gain of the circuit.



(A)