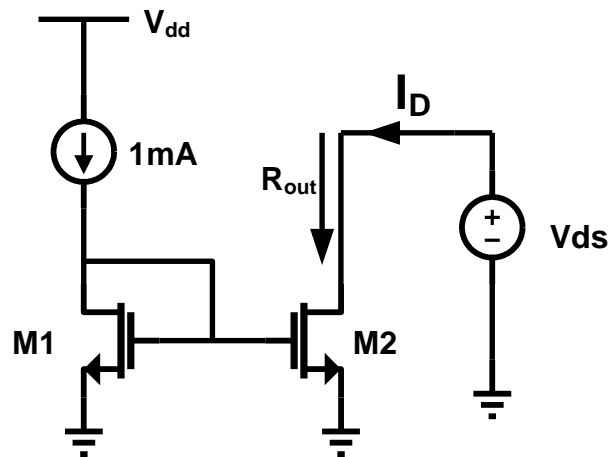


PSPICE Assignments #1

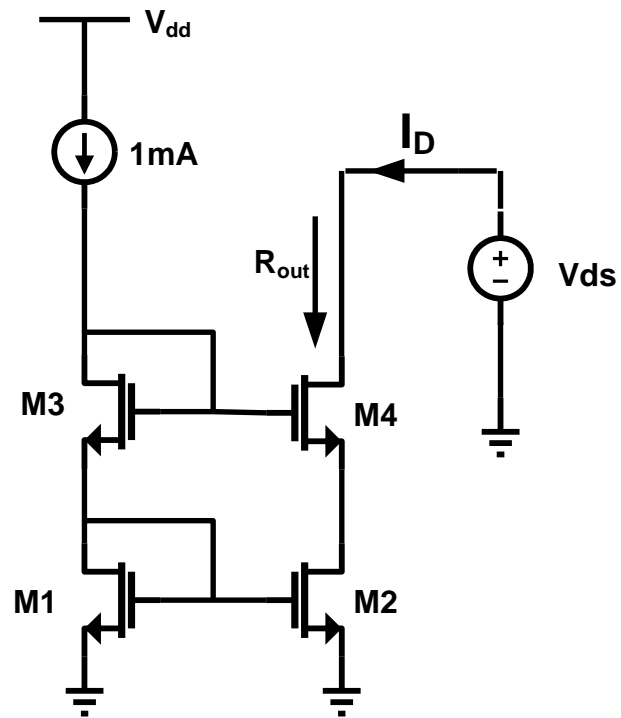
- Due: 2014/10/01(Wed) 3:30PM
- Submit a hardcopy report.
- For any questions, send an e-mail to jhwang@isdl.snu.ac.kr

1. Device parameters ($W=100\mu\text{m}$, $L=0.4\mu\text{m}$, $\mu_n C_{\text{ox}} = 32\mu\text{A}/\text{V}^2$, $V_{\text{th}}=0.5\text{V}$, $V_{\text{dd}}=3\text{V}$, $\lambda=0.2\text{V}^{-1}$) are given for the circuit. When the transistor M1 is operated in the saturation region, answer the following questions.



- a) Draw the $I_D - V_{\text{ds}}$ curve with Spice simulation.
- b) Draw the $R_{\text{out}} - V_{\text{ds}}$ curve with Spice simulation and compare it with hand-calculated R_{out} .

2. When the device parameters are same as Problem 1, solve the following questions for the circuit.



- Draw the $I_D - V_{ds}$ curve with Spice simulation.
- Draw the $R_{out} - V_{ds}$ curve with Spice simulation and compare it with hand-calculated R_{out} .

<End of PSPICE Assignment #1>