

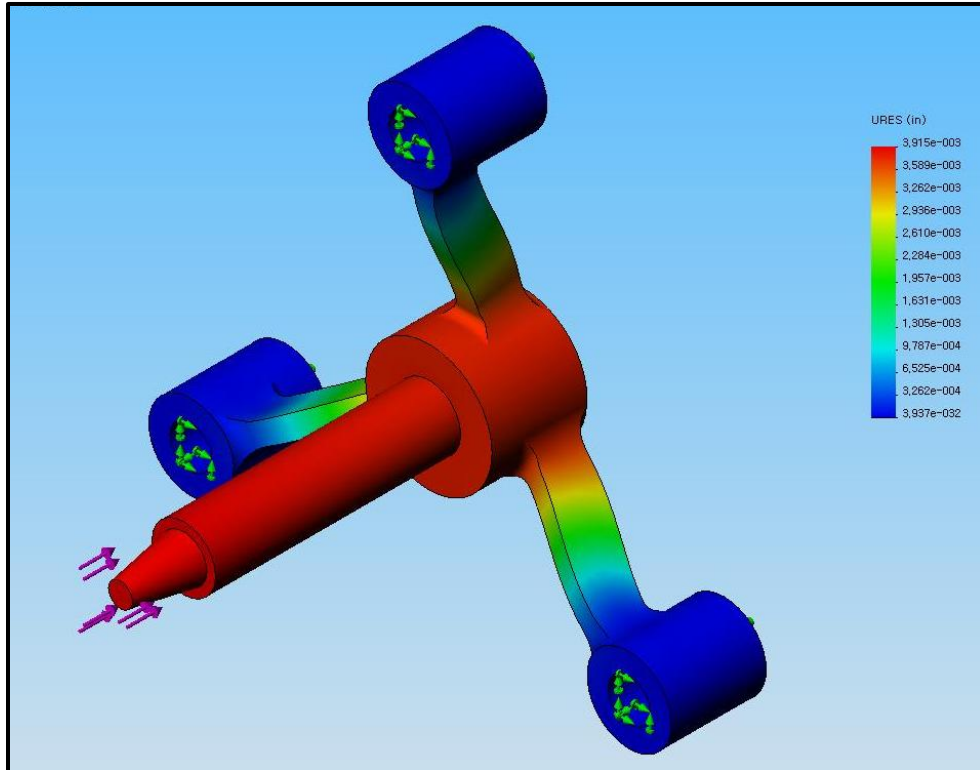
CAD/CAM

Homework 3

COSMOSWorks

Due Date : 2007.11.05. 23:30:00

Static Analysis



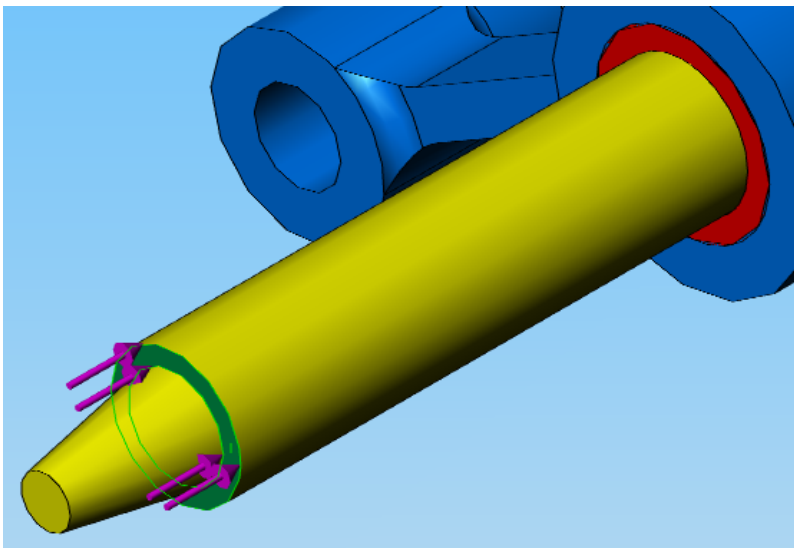
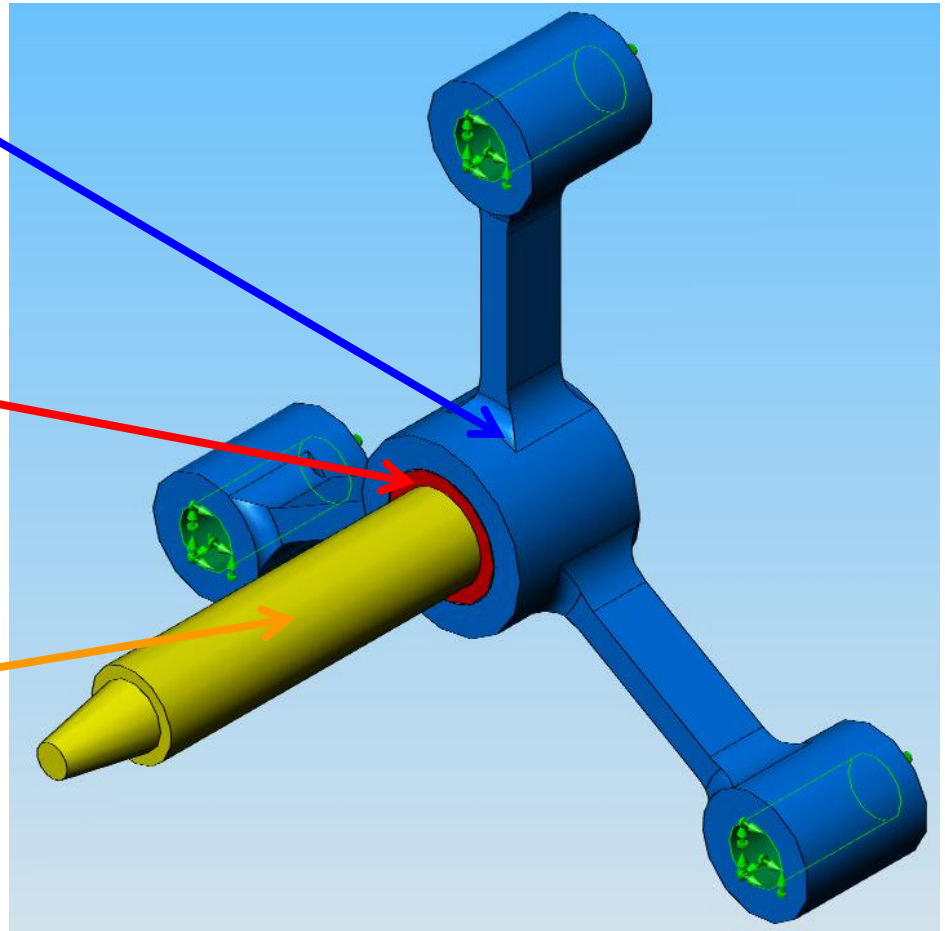
- REQUIREMENT:
 - Open FEM.SLDASM file
 - Make a Study [Static, Solid mesh]
 - Apply Material / Load / Restraint
 - Refer to NEXT Page
 - Use English(IPS) unit
 - Create Mesh [Global size : 0.2 in, Automatic transition]
 - Run the static analysis [FFEPlus]
 - Plot the stress [von Mises (psi)]
 - Generate a study report
 - Type your name in AUTHOR
 - Check Automatically update all plots in JPEG files

Material / Load / Restraint

Spider :
Aluminum 6061 Alloy

Hub :
Gray Cast Iron

Shaft :
Alloy Steel



Restraints :
Fixed (3 faces)

Forces :
300 lb (care for direction)

Submission Details

- Due : Nov 5, 2007 23:30:00
 - Credit : 10 points
 - Delay penalty : 2 point per 24 hours.

- Objects on demand :
 - SolidWorks Assembly / Part files
 - Report file (save as xxx.mht)
 - Write a short REPORT.TXT file which describes your implementation.

- Submit : <http://etl.snu.ac.kr/>
 - You must compress above all files as a **Zip** file named “HW3_student ID.zip”
 - Upload to Assignment Board (과제)
 - Ex) HW2_200012345.zip
 - **Penalty for other formats!!!**

- Question :
 - E-mail : icy7902@snu.ac.kr
 - Tel : 02 - 880 - 7447