

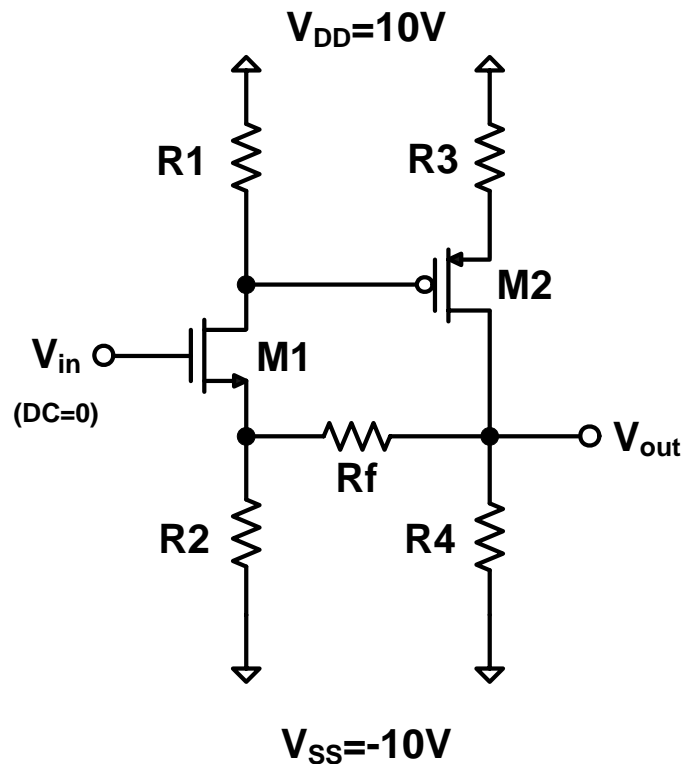
Homework Assignment #1
Quiz on 10:30am, 9/18/2007

Read Sedra/Smith 8.1 through 8.7.

[1] Do **all Exercises** (8.1-8.9).

[2] **Problems** 8.4, 8.10, 8.27, 8.31, 8.42, 8.43, 8.57

[3] 다음 feedback network 의 configuration 은 무엇인가? $\mu_n C_{ox} = 20\mu A/V^2$, $(W/L)_1 = 5$, $(W/L)_2 = 100$, $V_t = 2V$, NO channel-length modulation 을 가정하여 A 와 β 를 구하고 V_{out}/V_{in} 을 계산하시오. ($R_1 = 20k\Omega$, $R_2 = 20k\Omega$, $R_3 = 5k\Omega$, $R_4 = 10k\Omega$, $R_f = 30k\Omega$ 이고, $g_m = \mu_n C_{ox} \frac{W}{L} V_{OV}$ 라고 가정한다.)



<End of Homework Assignment #1>