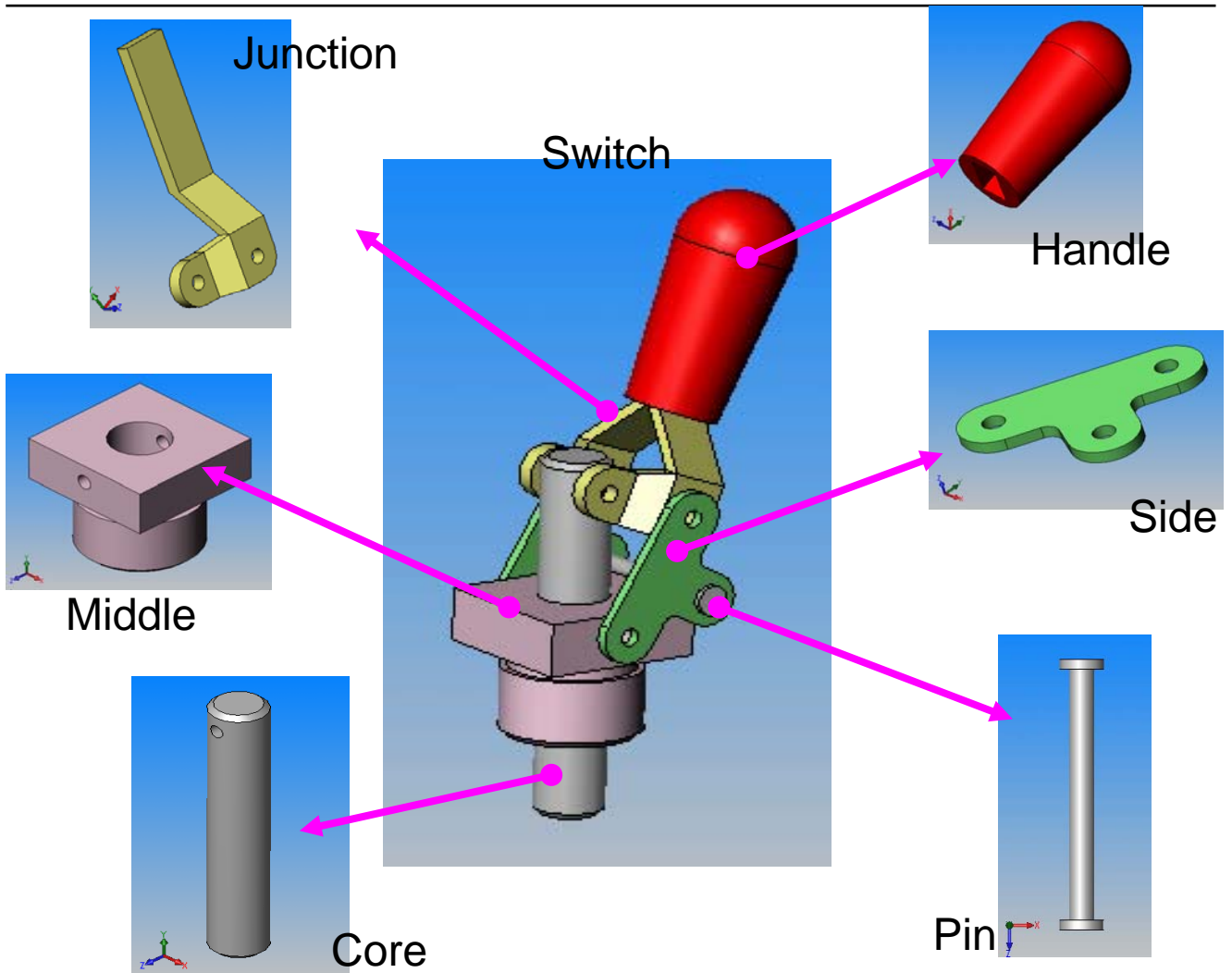


CAD/CAM

Homework 1

Top Down Modeling in SolidWorks
Due Date : 2006.10.21. 23:59:59

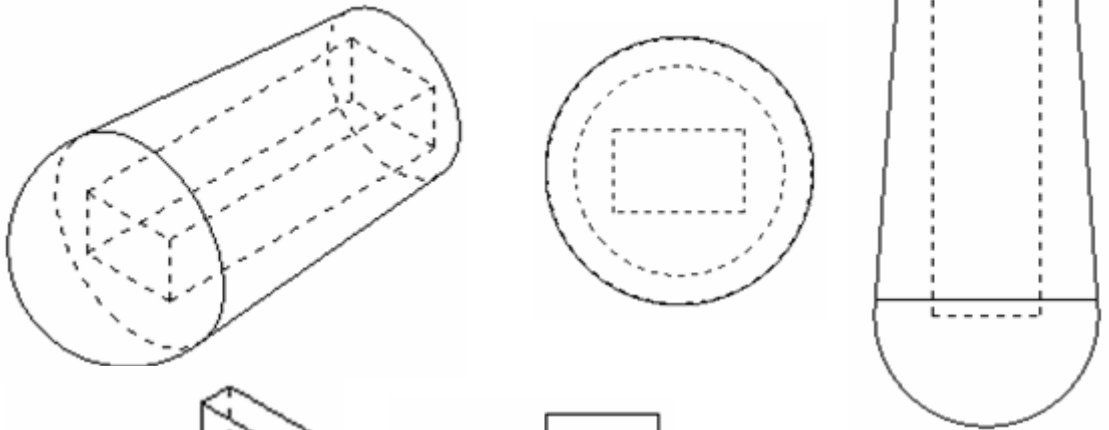
Switch Modeling



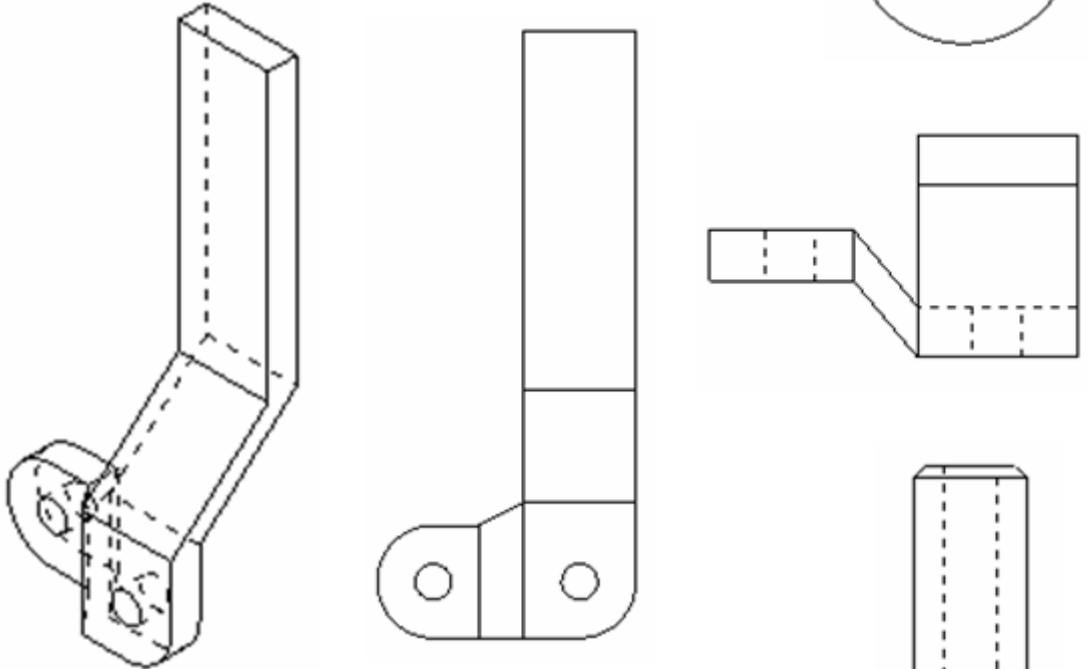
- REQUIREMENT:
- Make a top layout sketch in the assembly.
 - Make parts from the top layout.
 - Name each parts/assembly after these pictures.
 - Use proper dimensions in your discretion.
 - Make all sketches as fully defined state.
 - Insert mating condition to move core after moving handle.

Handle / Junction / Core

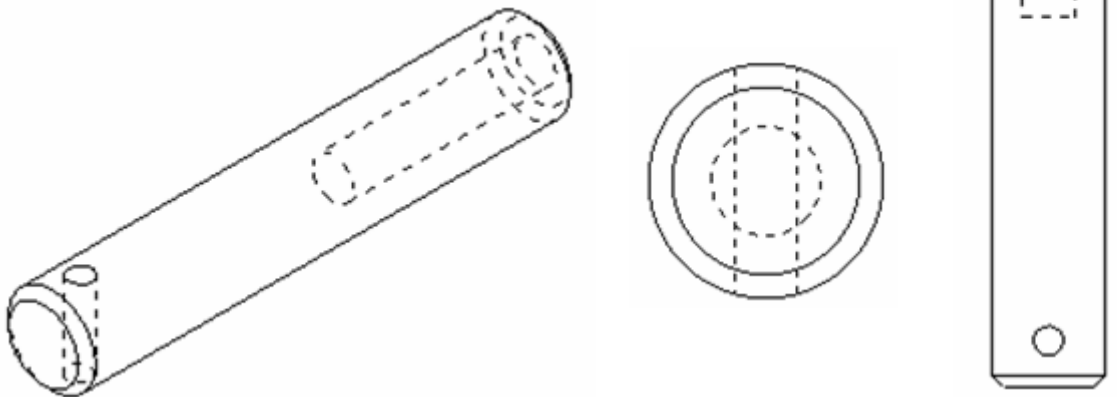
Handle



Junction

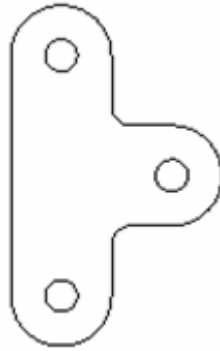
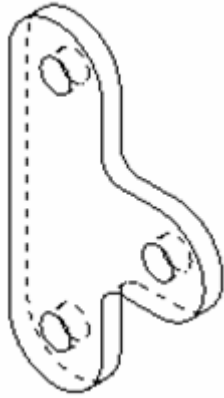


Core

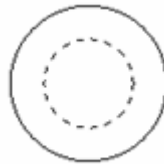
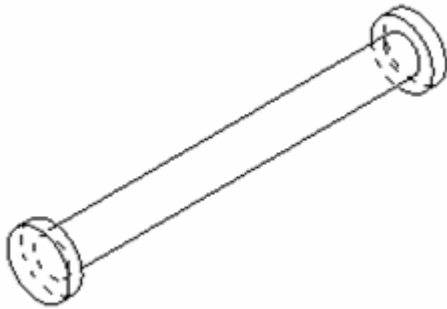


Side / Pin / Middle

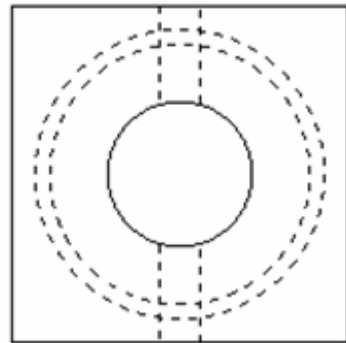
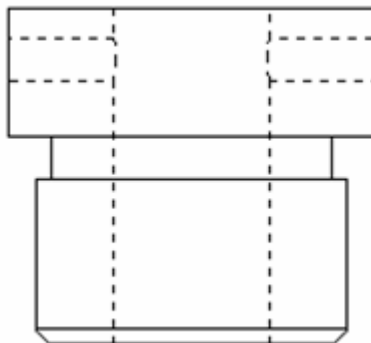
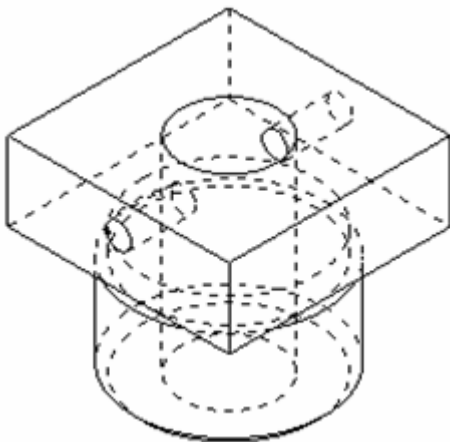
Side



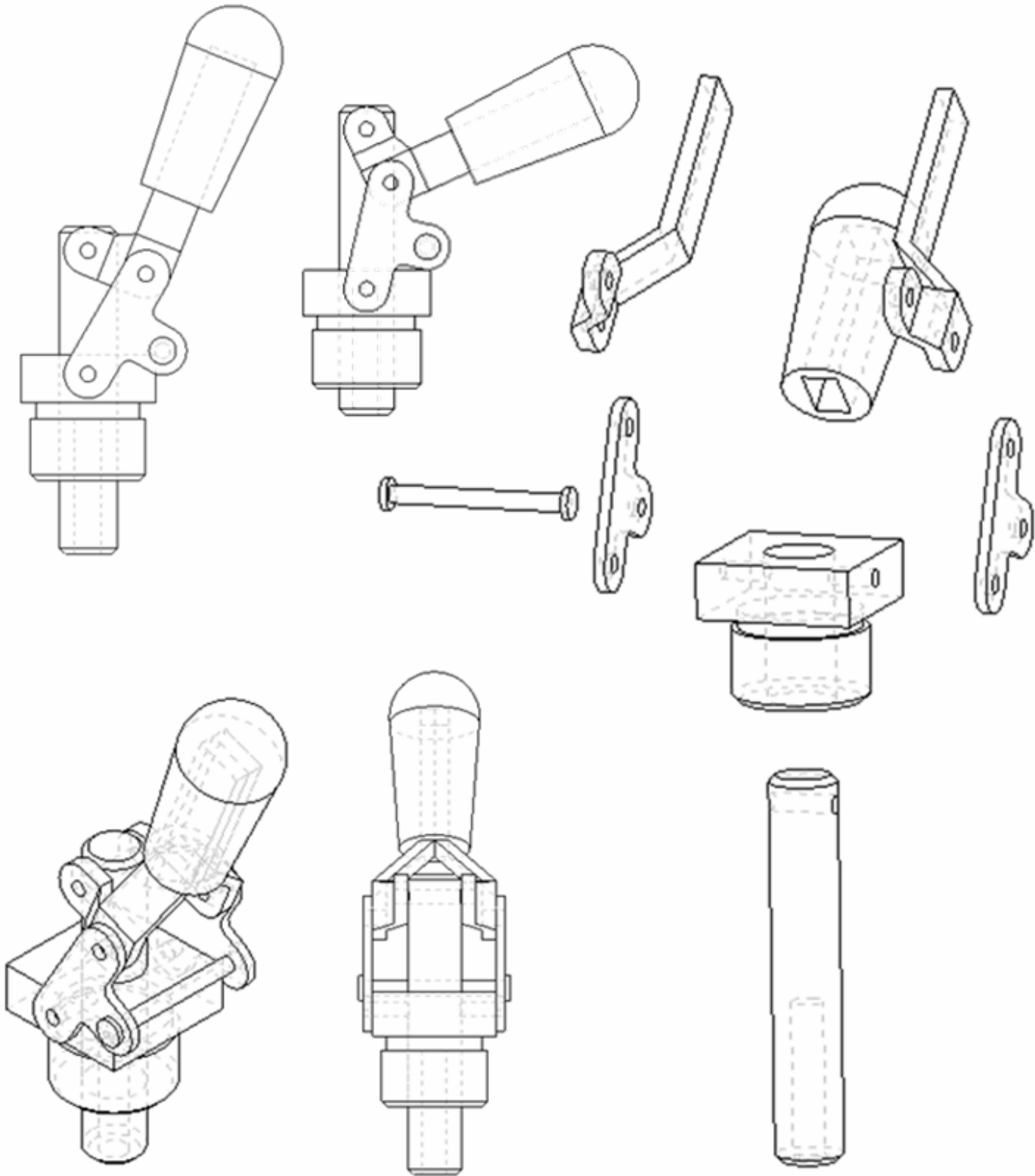
Pin



Middle



Switch Motion / Explode



Submission Details

- Due : Oct 21, 2006, 23:59:59.
 - Credit : 10 points.
 - Delay penalty : 2 point per 24 hours.

- Objects on demand :
 - SolidWorks Assembly/Part files
 - Write a short REPORT.TXT file which describes your implementation.

- Submit : <http://eng.snu.ac.kr>
 - You must compress above all files as a Zip file named "HW1_(student ID).zip"
 - Ex) HW1_99446123.zip
or HW1_200012345.zip

- Question :
 - E-mail : zeroneo1@snu.ac.kr
 - Tel : 02 - 880 - 7447