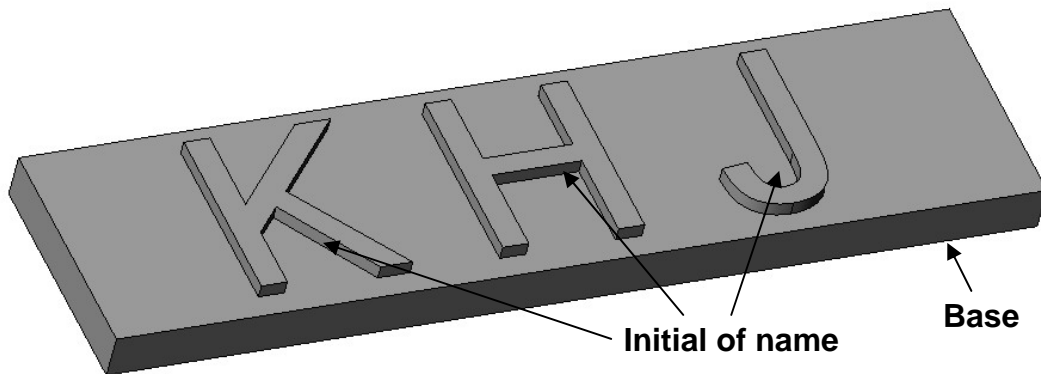


Homework 3:

Prismatic Machining with CATIA V5



Objectives:

Design the model like above using SolidWorks and do the prismatic machining using CATIA V5.

1. Base has width = 200 mm, height = 50 mm, and thickness = 10 mm.
2. Use initial of your name in sketch.
3. Height of text in sketch = 40 mm and Height of extrusion of sketch = 5 mm.
4. Make it as similar as possible to the above model.
5. Use IGES format to export designed model from Solidworks.
6. Design 'Contouring', 'Facing', and 'Pocketing' machining model in CATIA V5 – Prismatic Machining.
7. Use appropriate values for each setting dialog.

Standards for Grading:

1. Overall model should be similar to the above model.
2. The result of prismatic machining should have three machining models.
3. Value of each parameter in the dialogs should be given appropriately.

Submission Details:

1. Due: Nov. 3, 2006
2. Credit: 10 point
3. Objects on demand:
 - A. SolidWroks Modeling file (*.sldprt)
 - B. IGES file (*.igs) exported from SolidWroks.
 - C. CATIA Part file (*.CATPart) and Process file (*.CATProcess).
 - D. You must compress above files as a ZIP file.
The name of the zip file should be as "HW3_student ID.zip"
Ex. 'HW5_99446000.zip'Different file formats are not allowed.
4. Upload the file to "과제" in <http://gong.snu.ac.kr:9000>. Do not e-mail.
5. If you do not follow any instruction in above, you will receive the penalty 1 point per each time.
6. Delay penalty: 1point per 12 hours.

Questions:

E-mail: hjkim81@snu.ac.kr

Tel.: 02-880-1683