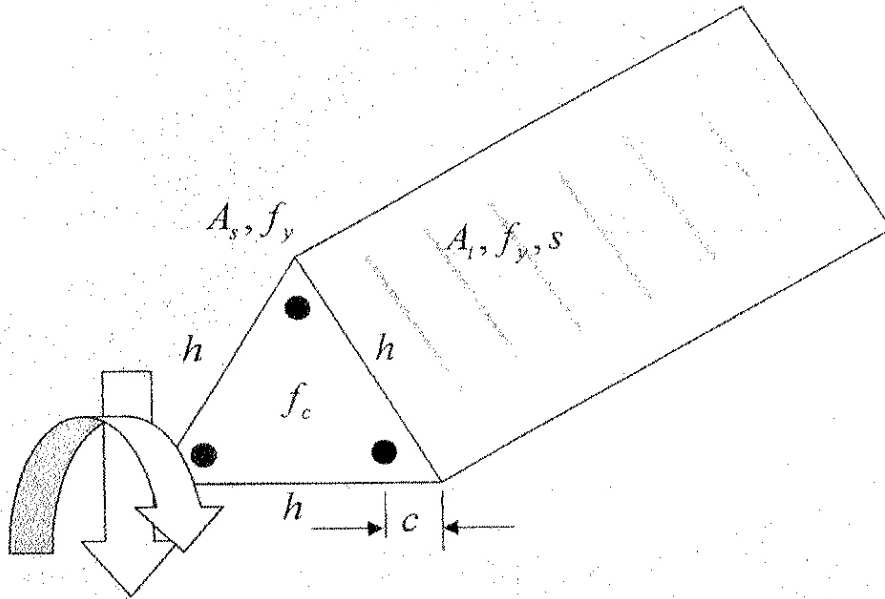
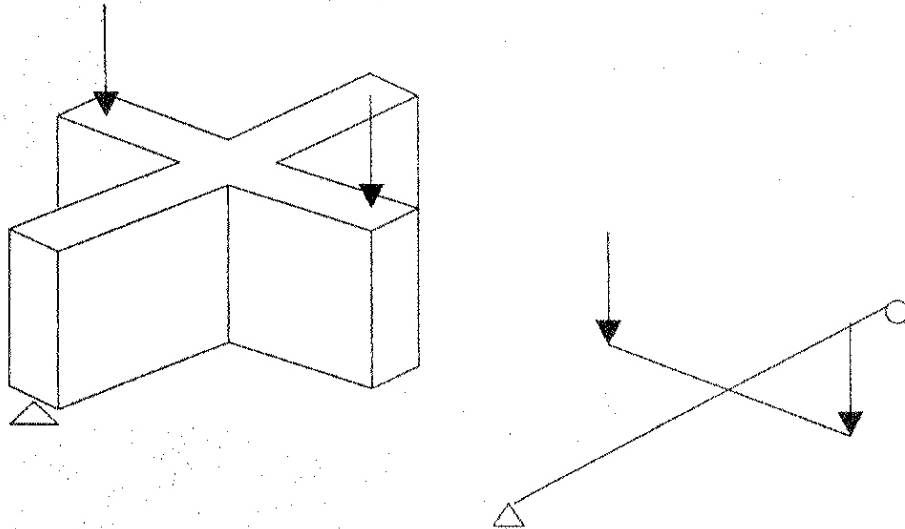


3. Construct strength models for a beam of triangular section under torsion and shear using space truss models.



Plasticity in Concrete

1. Draw appropriate stress fields for the following cruciform deep beam on simple supports and STM.



2. Propose shear strength models for shear wall of skewed reinforcement. Show stress states in concrete and steels corresponding to the failure modes.

