

The Foldable Razor Project

First Presentation of *C-4*



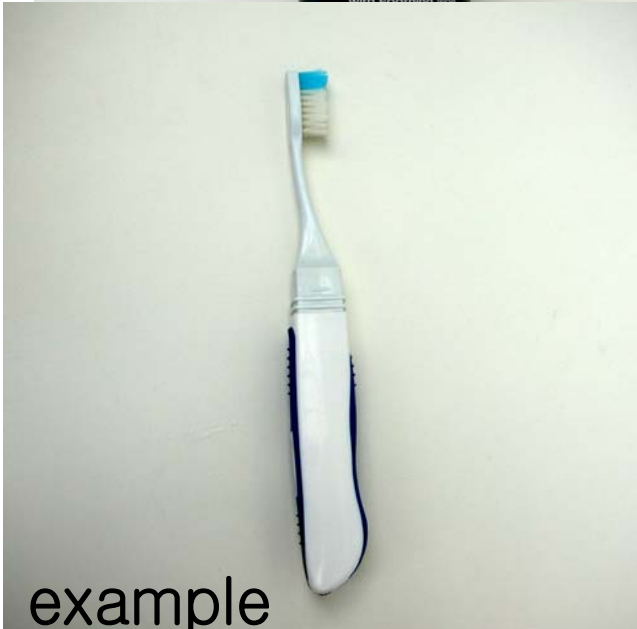
Idea Derived



+



Razor
+ Portability



example

m

razor C-4

▶ **Portability**

- reduce volume maintaining utility

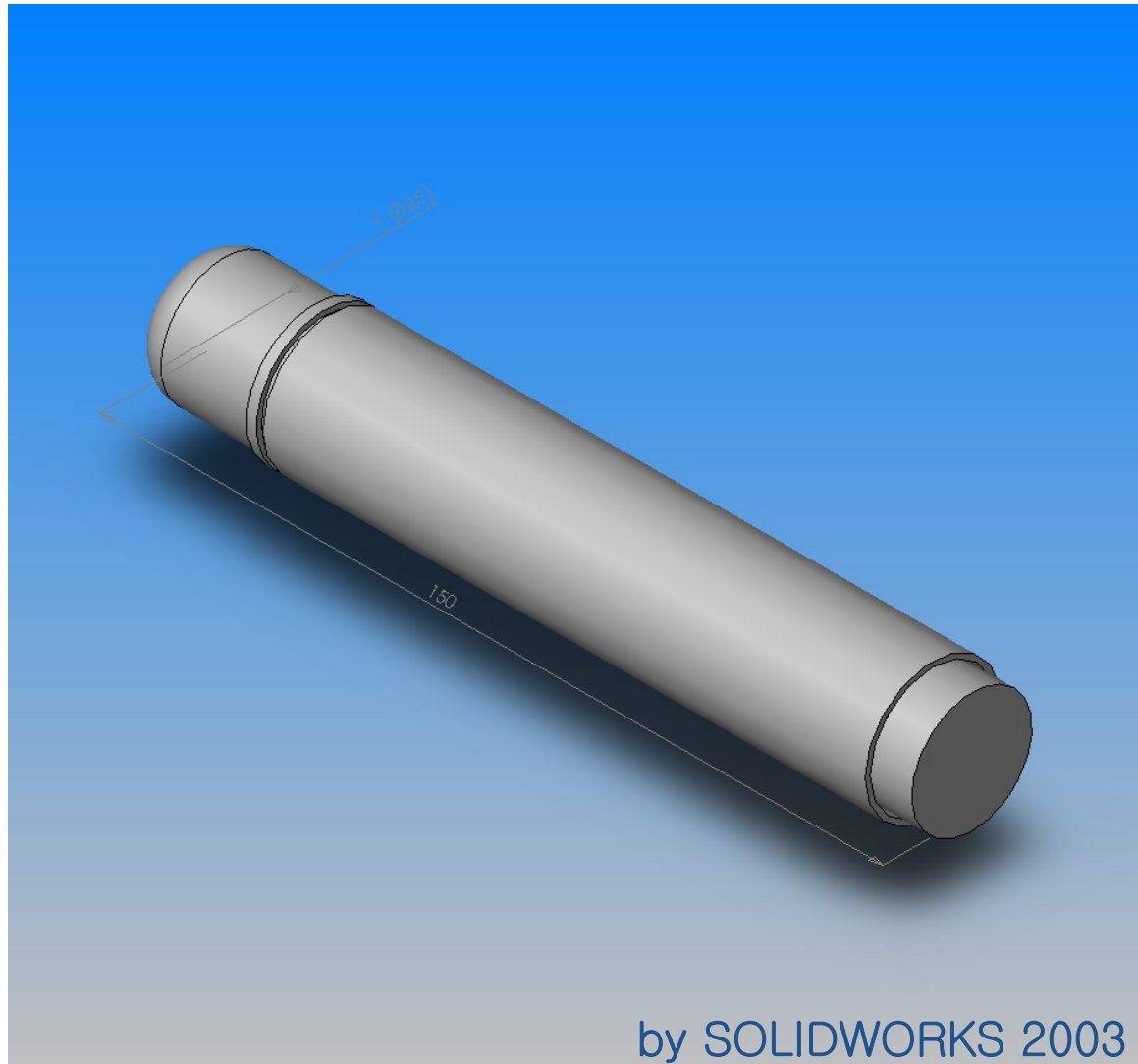
▶ **Safety**

- ensure safety from the blade injury

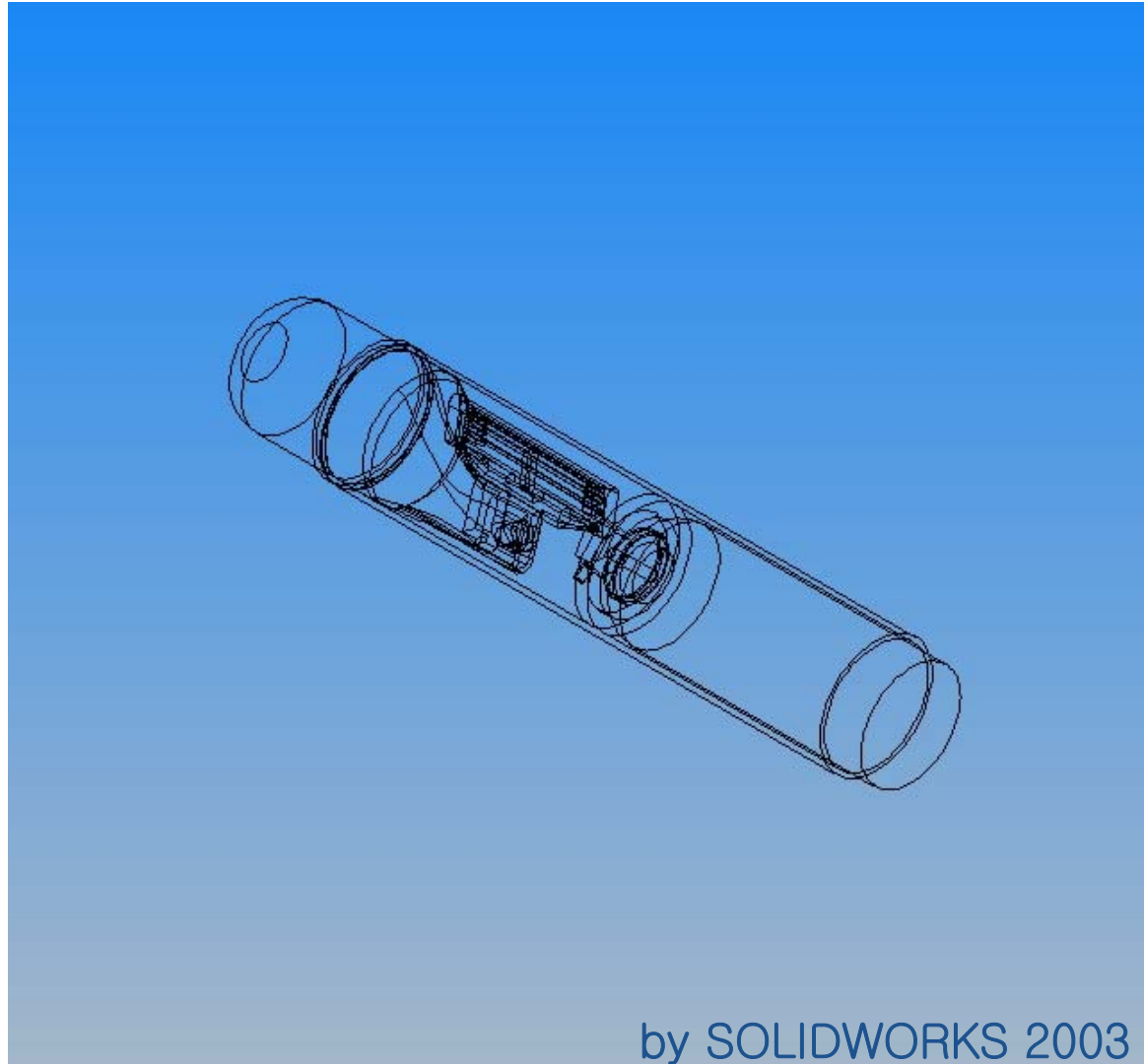
▶ **Simplicity**

- simple design on both structural & visual point

Concept Design (1)

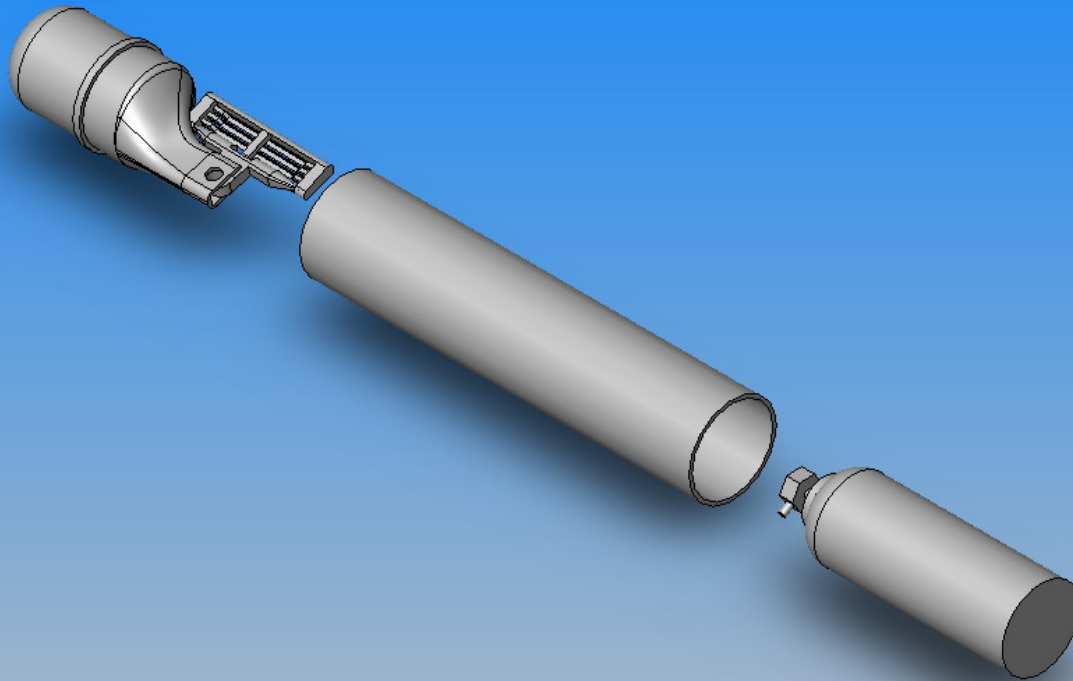


Concept Design (2)



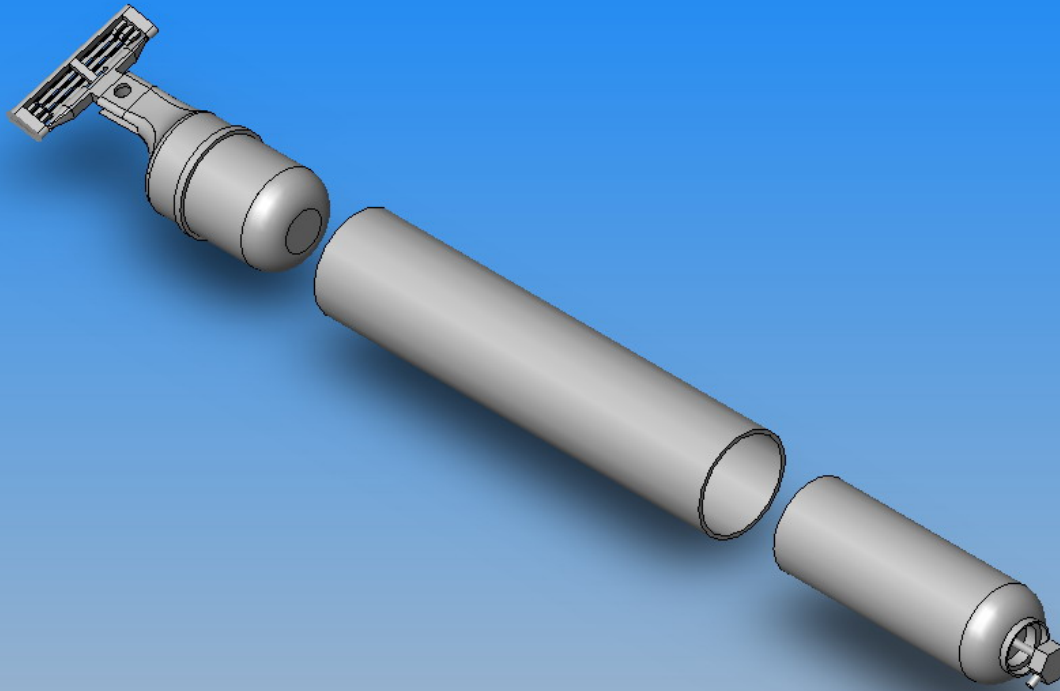
by SOLIDWORKS 2003

Concept Design (3)



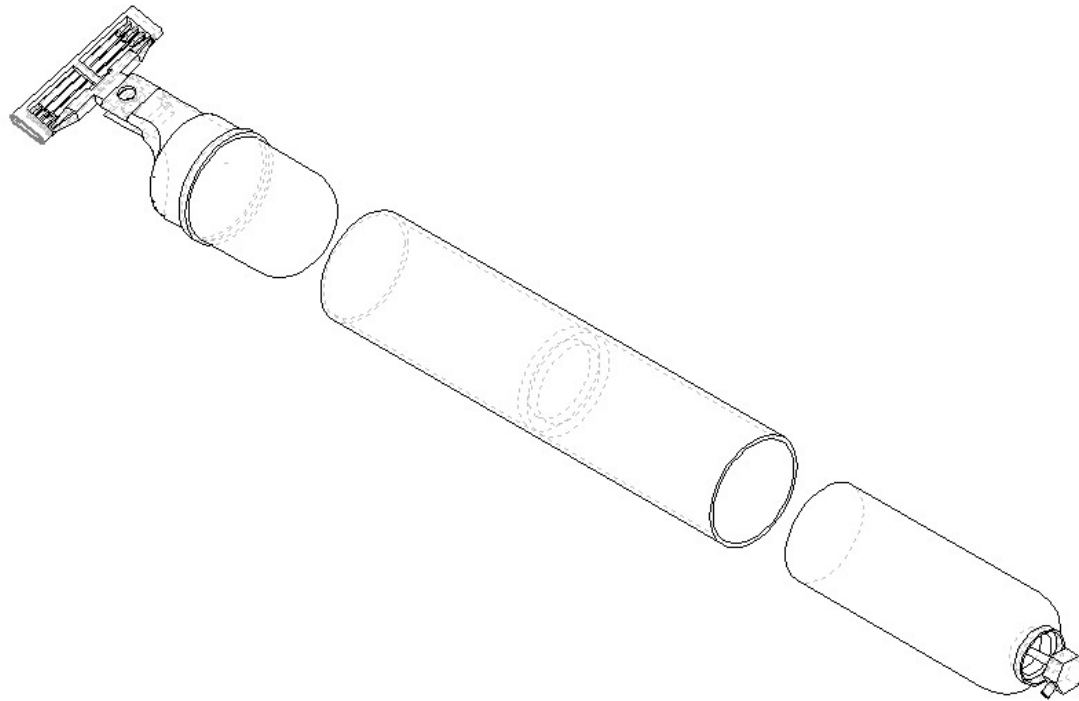
by SOLIDWORKS 2003

Concept Design (4)



by SOLIDWORKS 2003

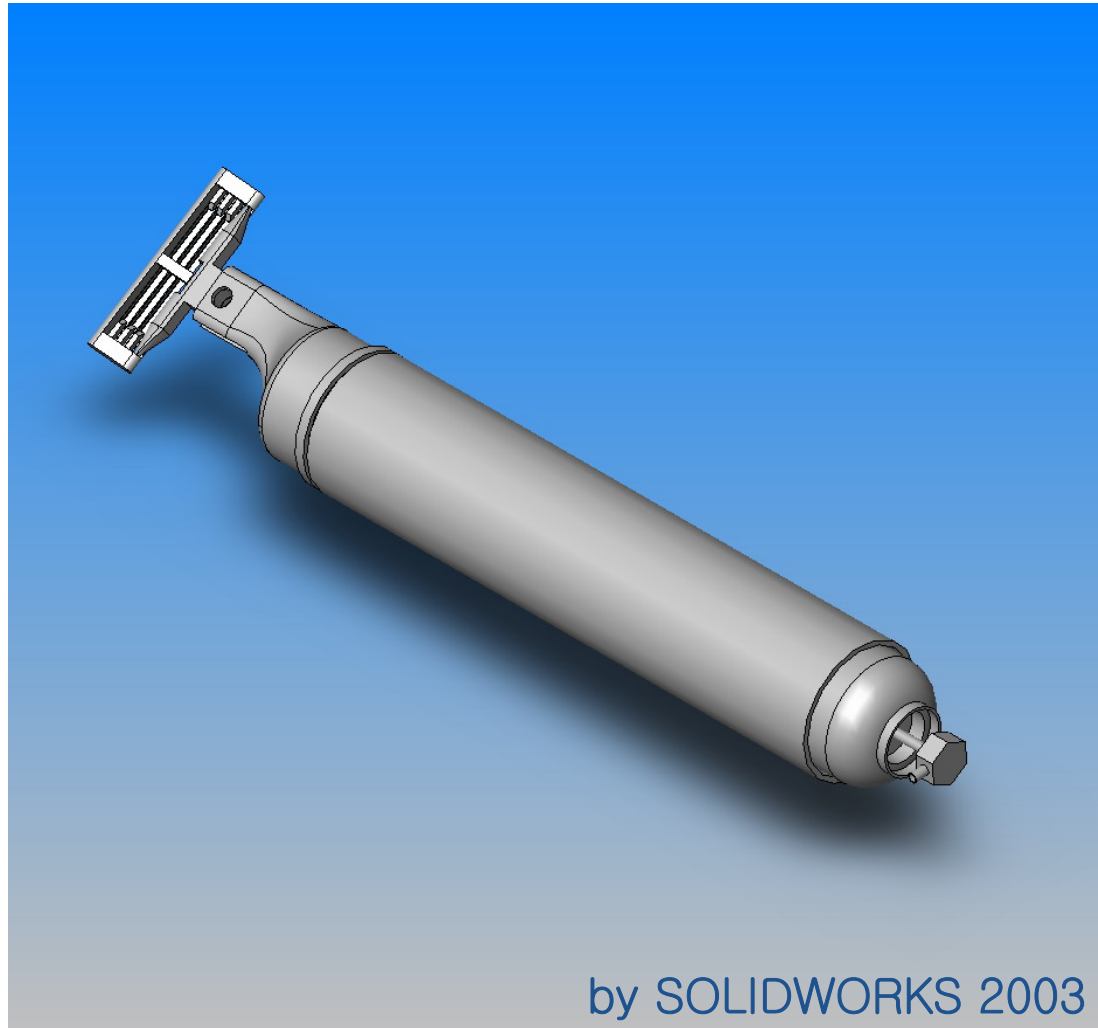
Concept Design (5)



by SOLIDWORKS 2003

Foldable Razor C-4

Concept Design (6)



▶ Further Consideration

- Definite mechanism of rotation part
- Check for interference
- Design improvement
- Stress Analysis

▶ Manufacturing Process

Questions?

-Thank you!