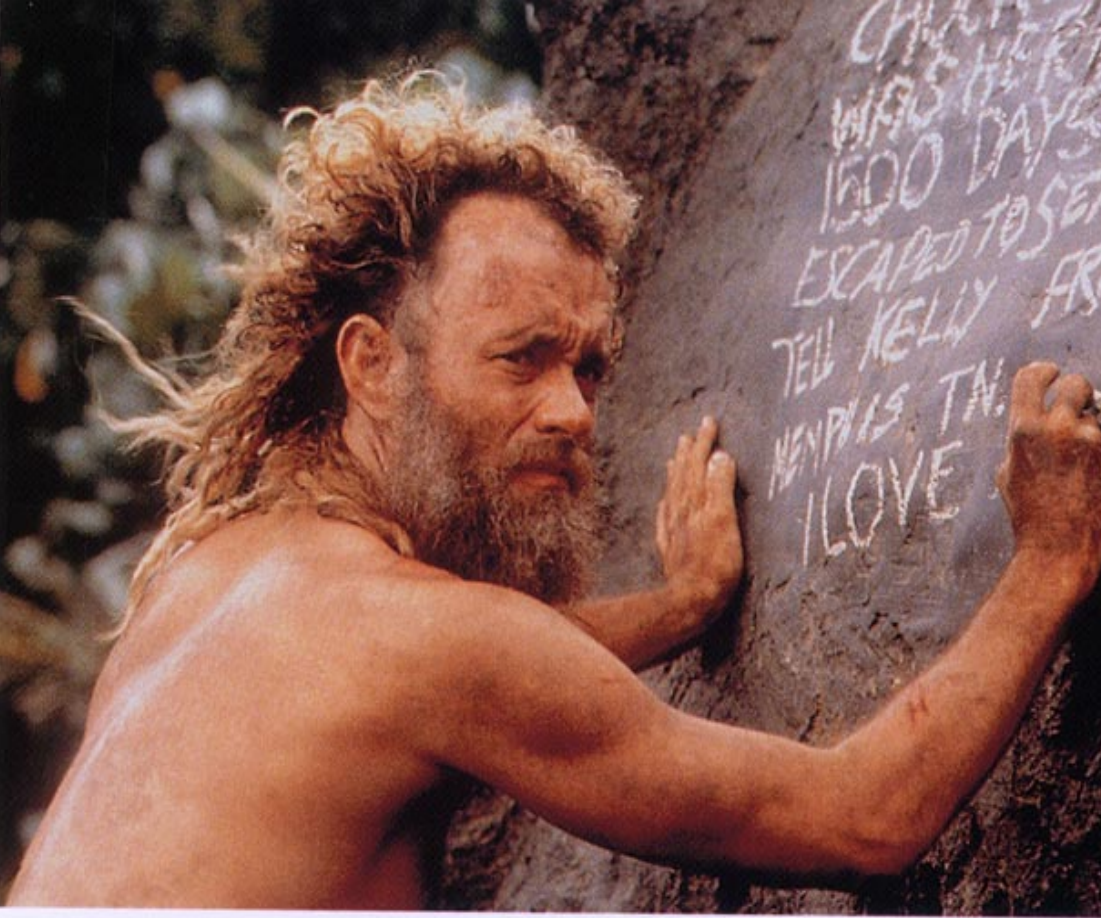


**Find the common feature
of the following events:**



CJ ENTERTAINMENT
씨제이 엔터테인먼트

Cast Away

2001. 2. 3. Plane Crash (fictional)



2003. 12. 14. Arrestment of Hussein

These men belonged to the generation which had never used 'FR'.

**NOW, MEET OUR
ASTONISHING PRODUCT**

The Foldable Razor Project

The Second
Presentation of *C-4*

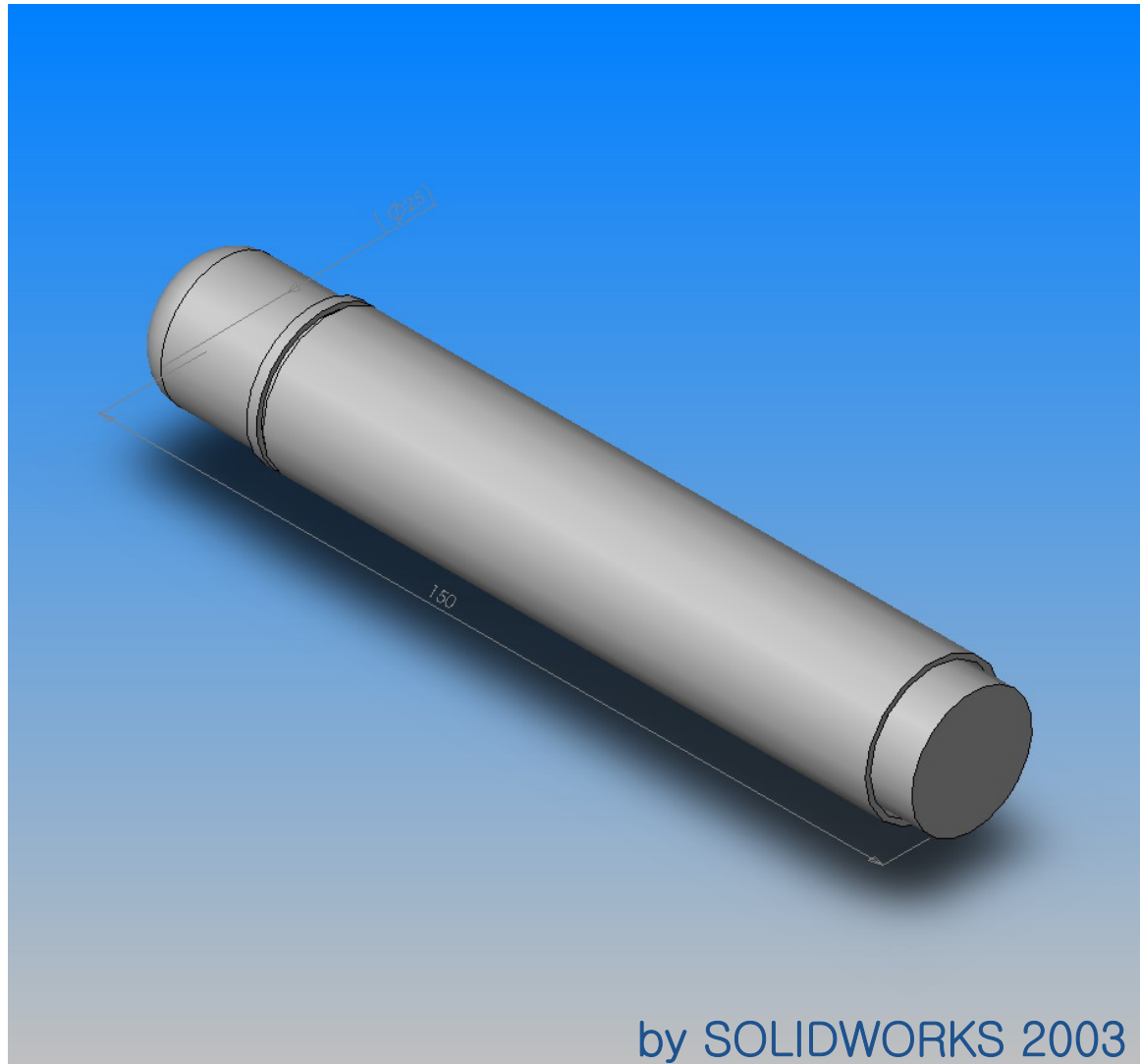


FR is :

Foldable Razor

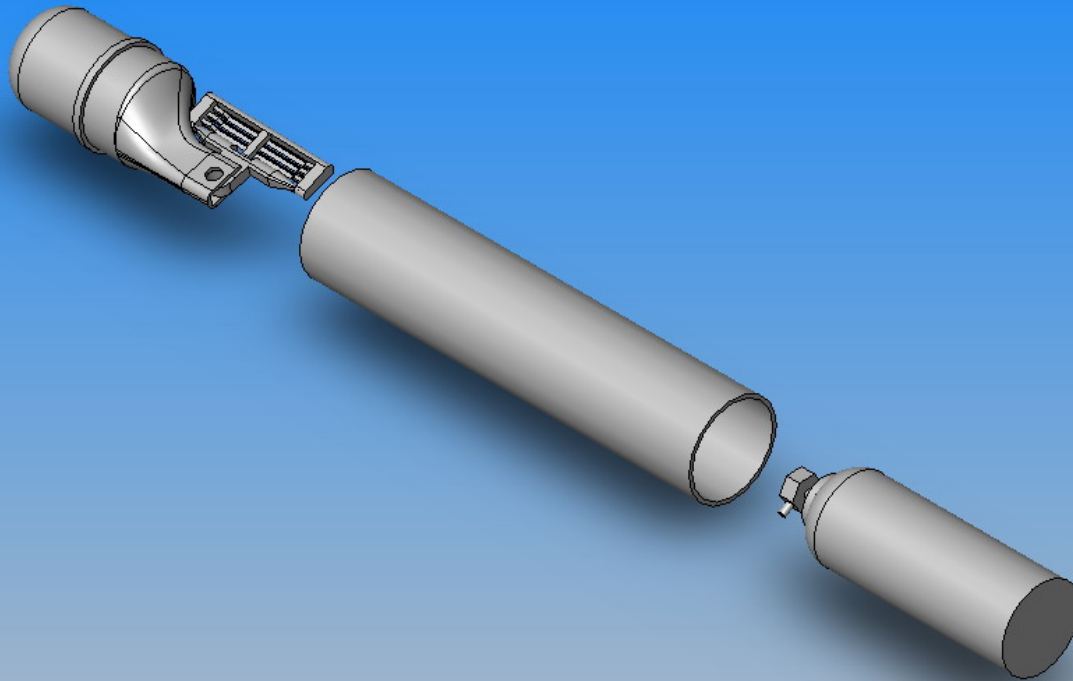
-Set of Razor + Shaving Cream
with portability

Review (Design)



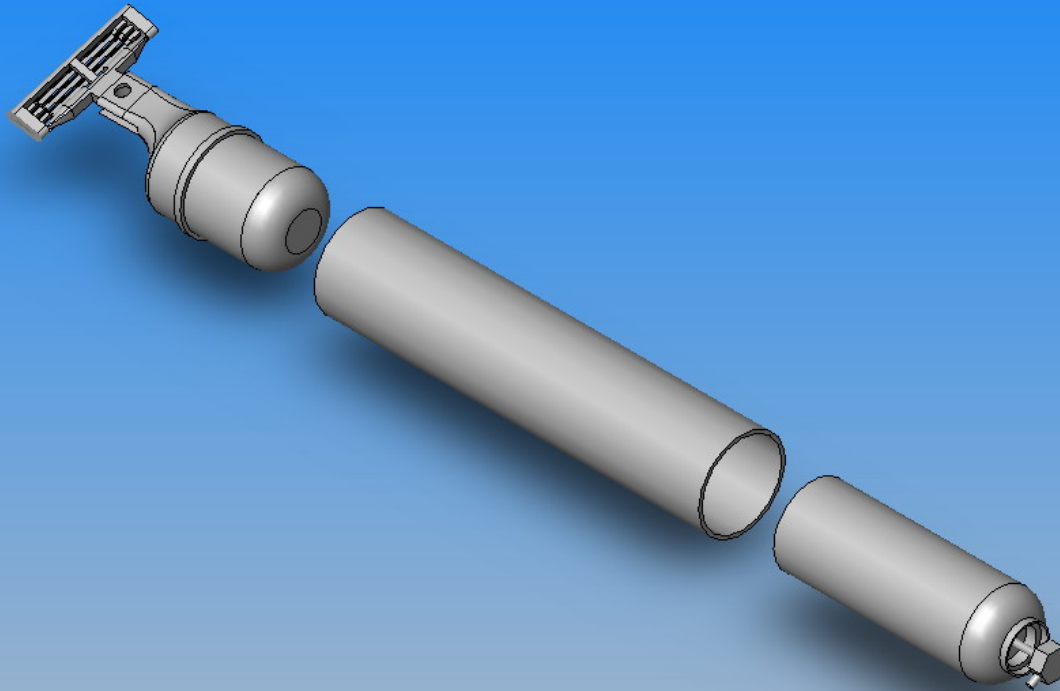
by SOLIDWORKS 2003

Review (Design)



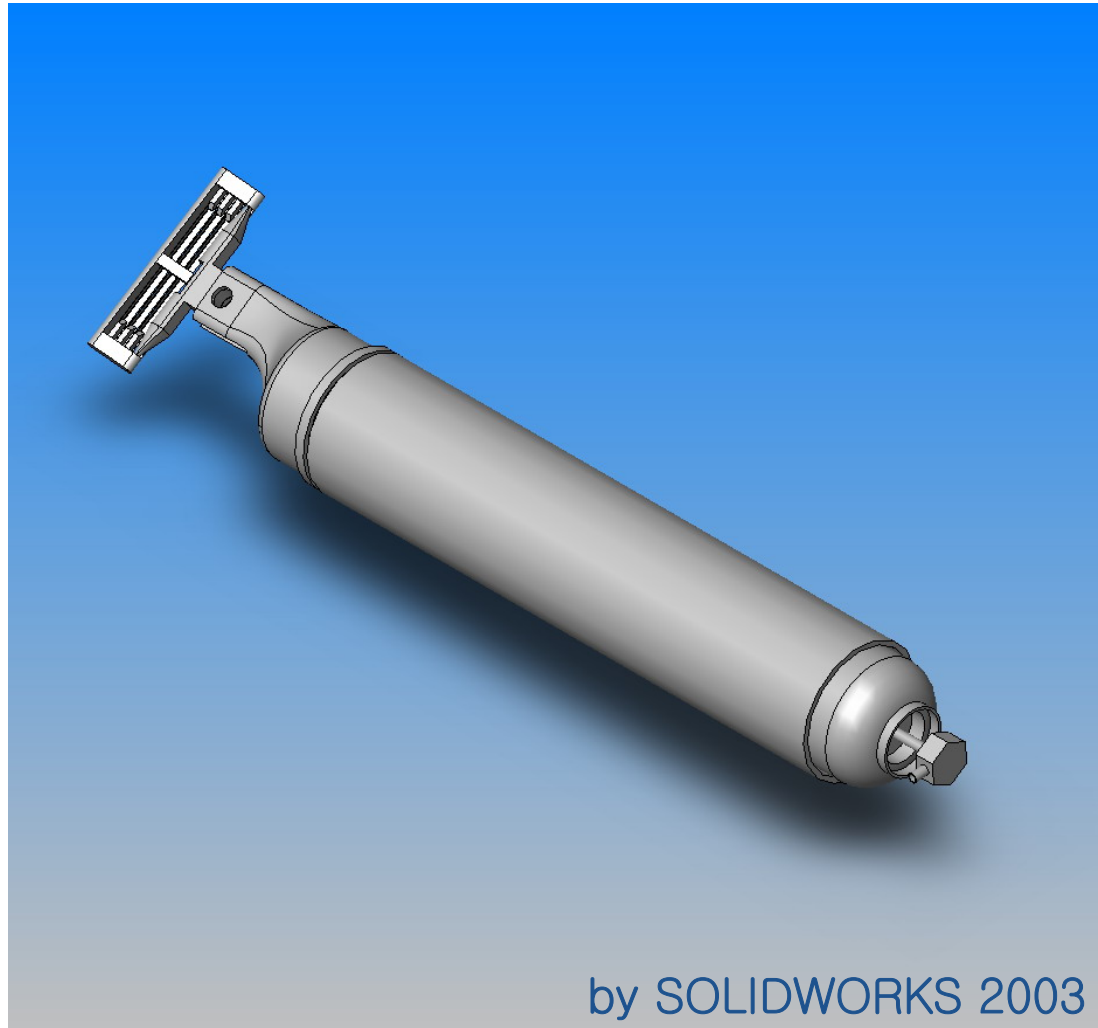
by SOLIDWORKS 2003

Review (Design)



by SOLIDWORKS 2003

Review (Design)





Concentrations

① Minimize Volume

- Maximize Portability
- Sharp & Smart Design

② Neck Design

- Blade/Body Link Point
- Rotation
- Scatter Stress

Concentrations

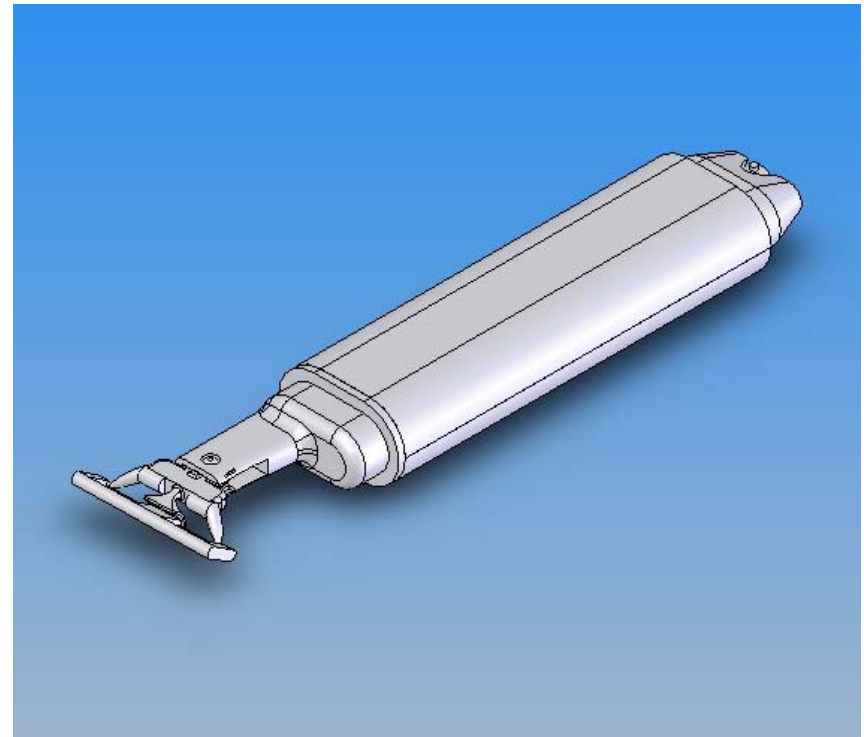
① Minimize Volume



Cylinder type



② Neck Design



Flat type

Concentrations

① Minimize Volume

② Neck Design

Effect

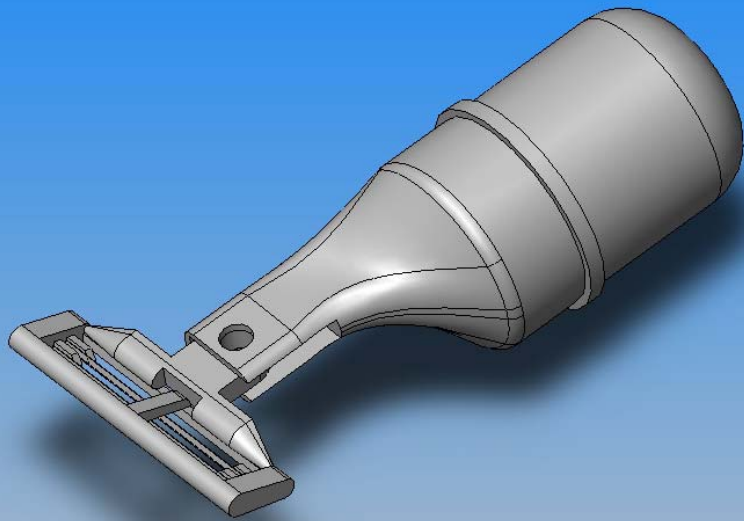
(Unit : mm³)

Before	7.359×10^4
After	7.146×10^4

2.9% Decreased!!

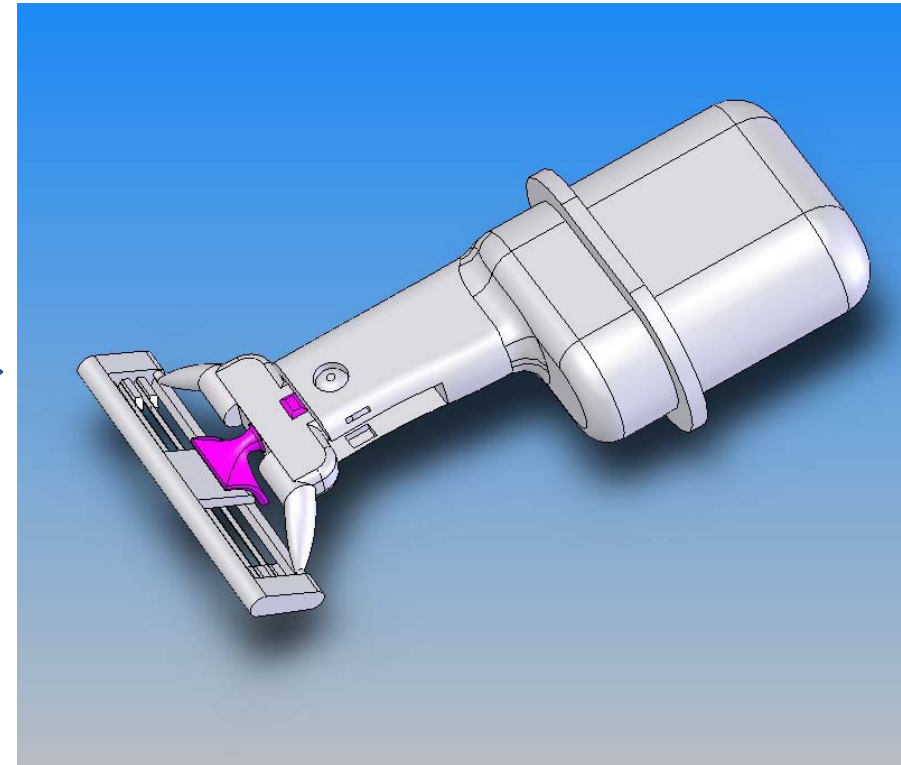
Concentrations

① Minimize Volume



Cylinder type

② Neck Design

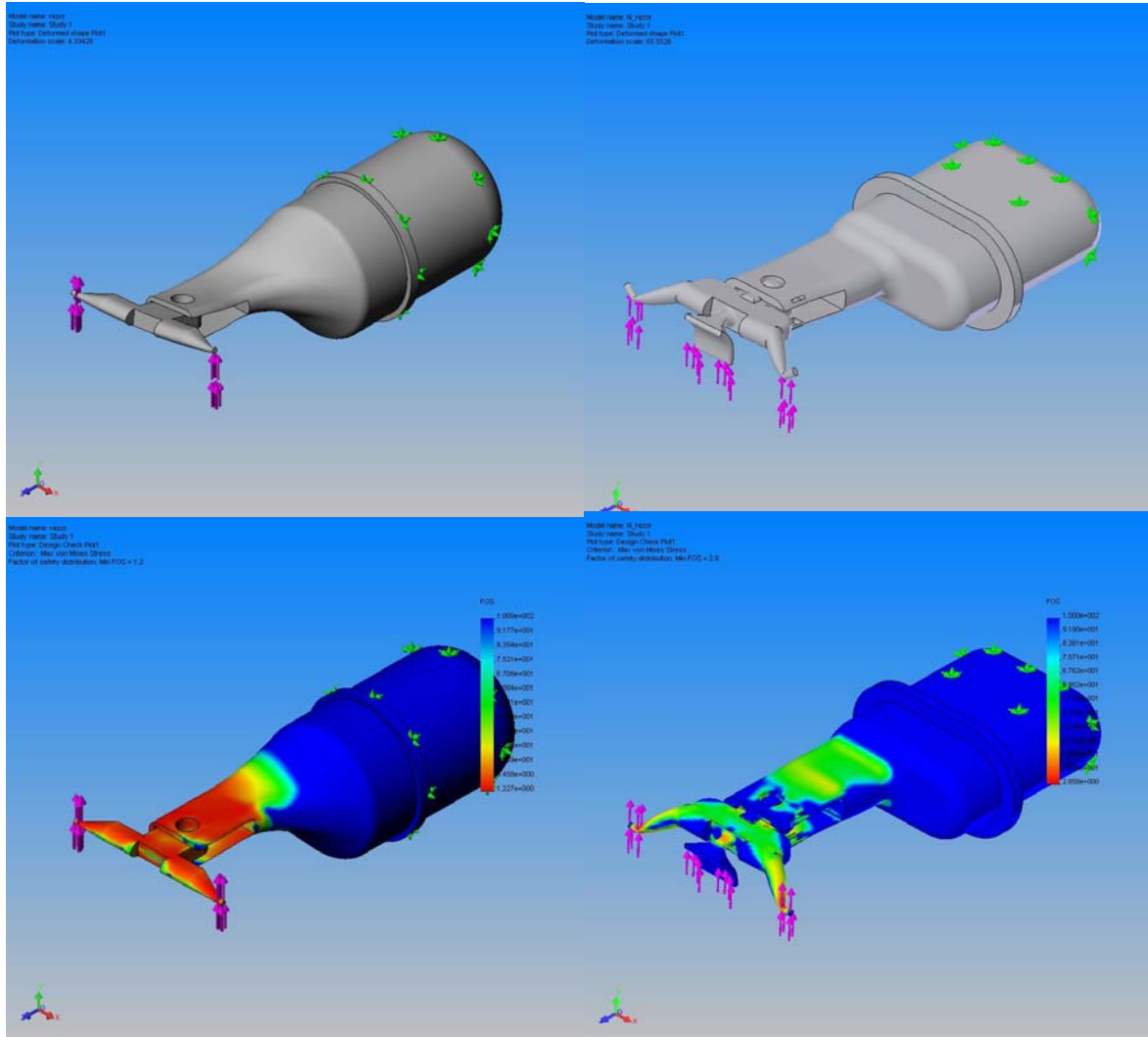


Flat type

Concentrations

① Minimize Volume

② Neck Design



Concentrations

① Minimize Volume

② Neck Design

Effect

(Material : ABS)

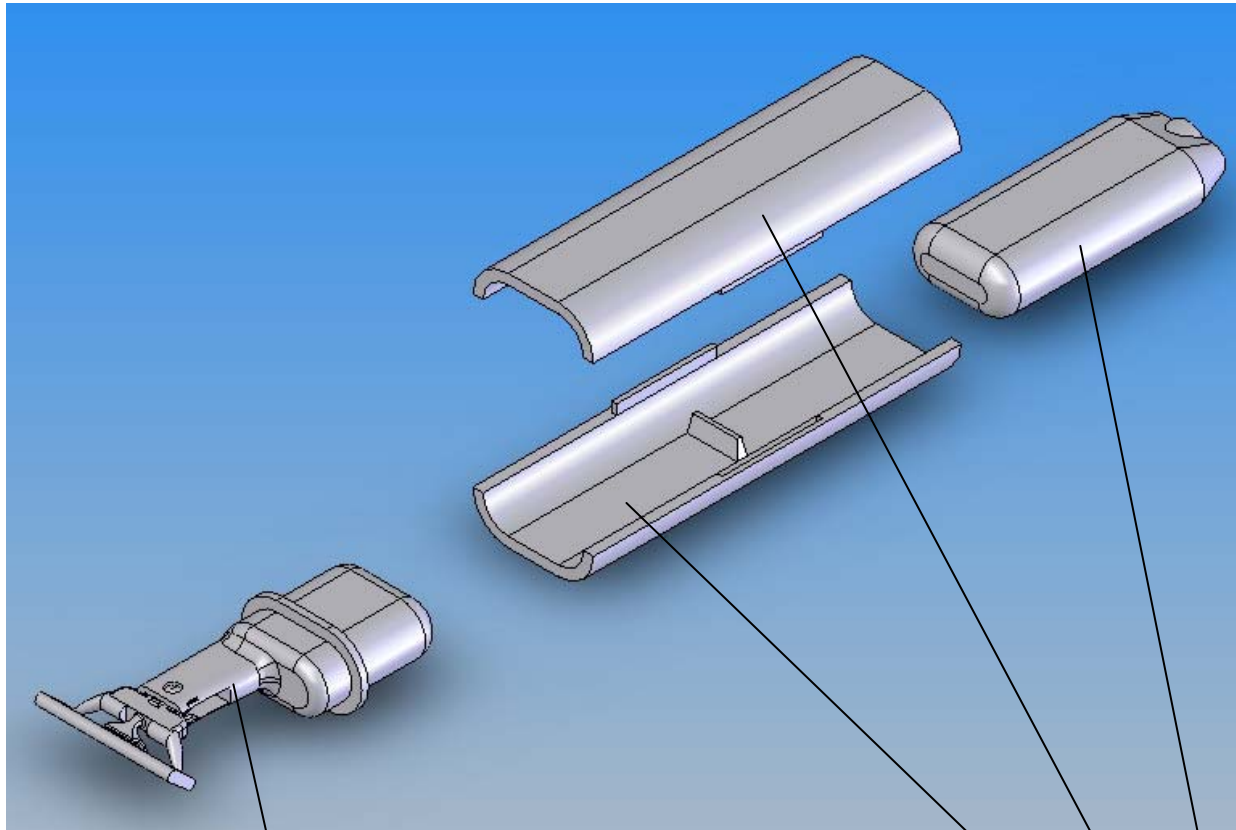
	Max Stress (N/mm ²)	Max Displacement (mm)
Before	2.446×10^7	1.678
After	1.049×10^7	0.135

Max Stress 57.1% Decreased!!
Max Displacement 91.9% Decreased!!



Manufacturing

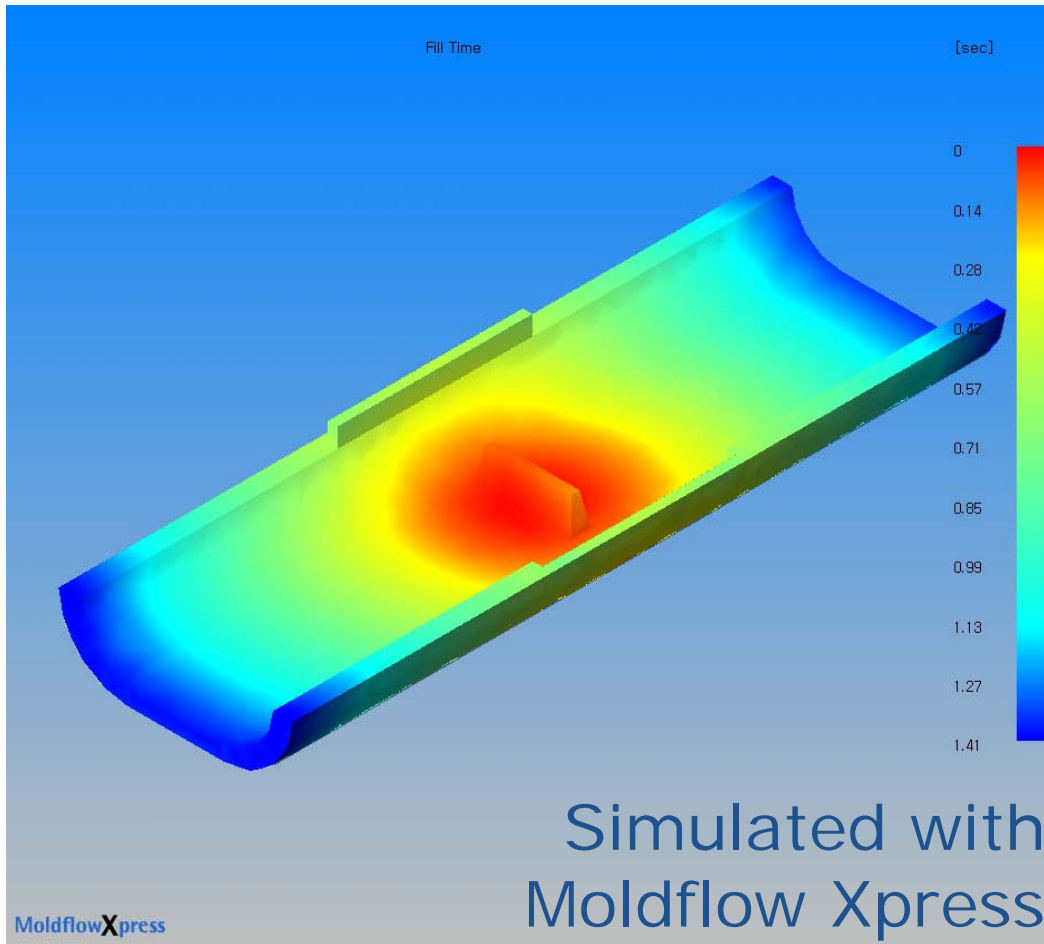
Manufacturing



Rapid Prototyping

Injection Molding

Injection Molding



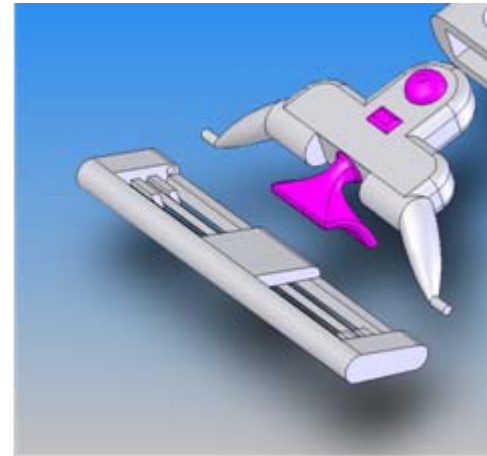
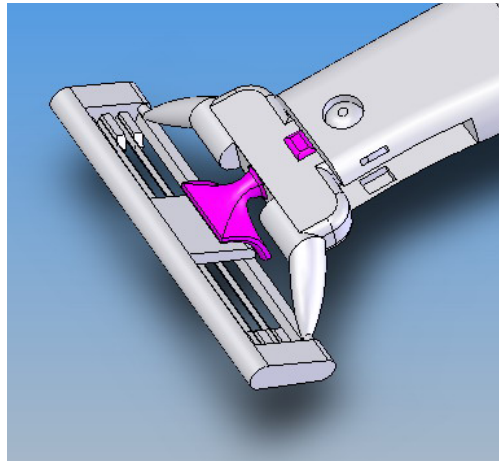
**Enlarged
Wall Thickness
from 1 mm to 3 mm
-Avoid Deformation**

Body Part



Upcoming Tasks

► Compatibility with Commercial Blades



► Research on Tolerance

- Smooth Rotation Required
- Trial & Error Not Allowed (Budget Constraint)

Questions?

-Thank you!