



CATIA V5

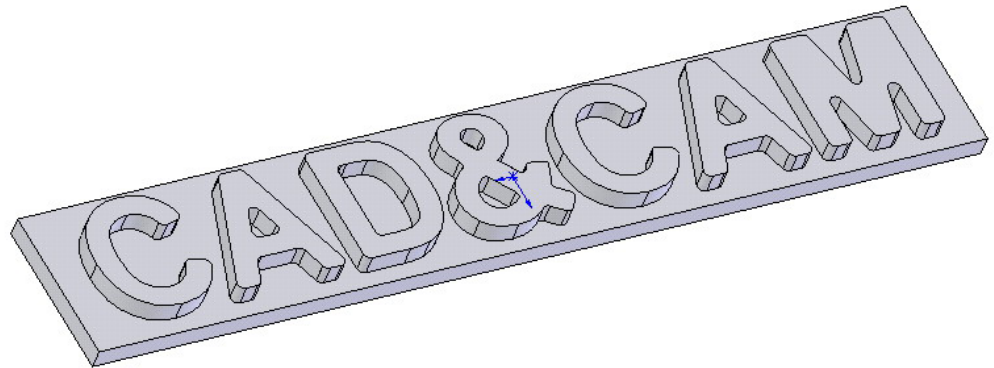
NC Manufacturing Function

2006.10.25

Hyung-Jung Kim

Contents

- Model File Exchange
- CATIA V5 - NC Manufacturing Function
 - Contouring
 - Face milling
 - Pocketing



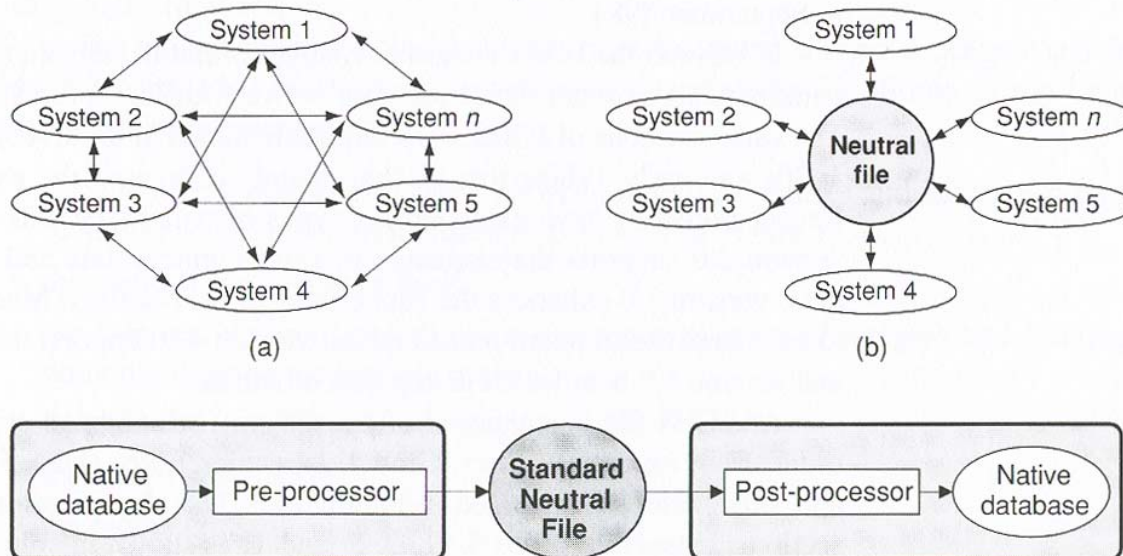


Lecture Materials

- Download from the class web page
 - "CATIA NC Setting.pdf"
 - "CADCAM_Part.sldprt" (solidworks model)

Model File Exchange

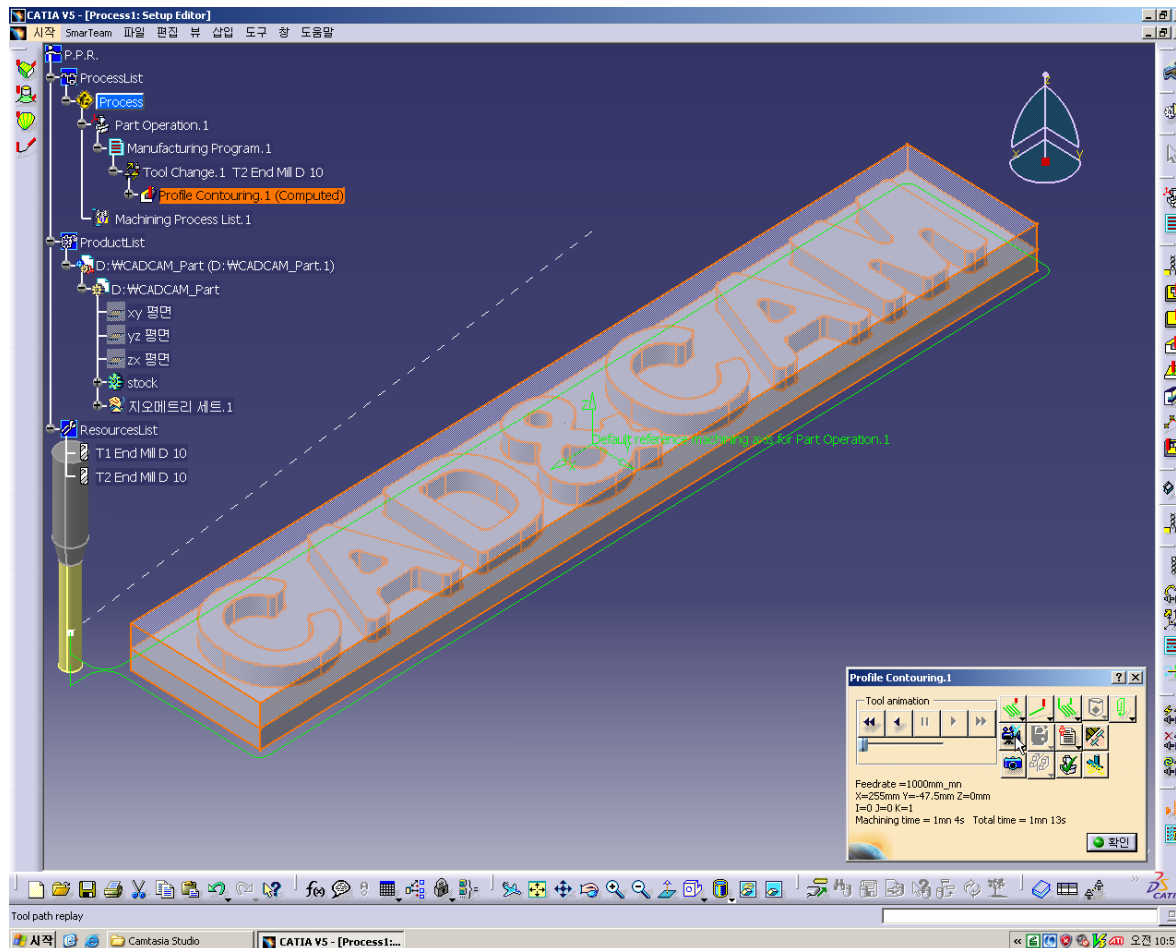
- File exchange among heterogeneous systems



- Example
 - Open "CADCAM_Part" file on SolidWorks

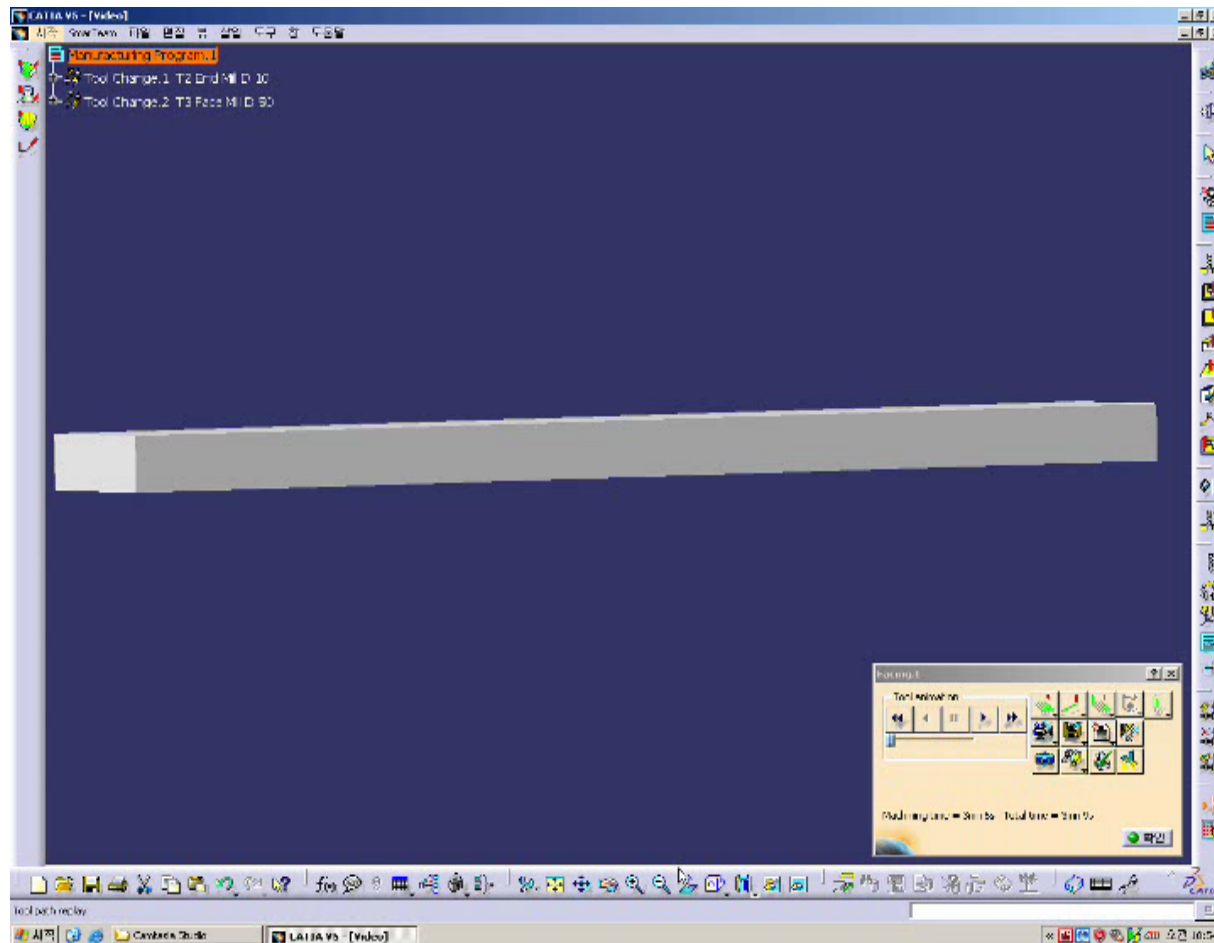
Prismatic Machining

- Contouring



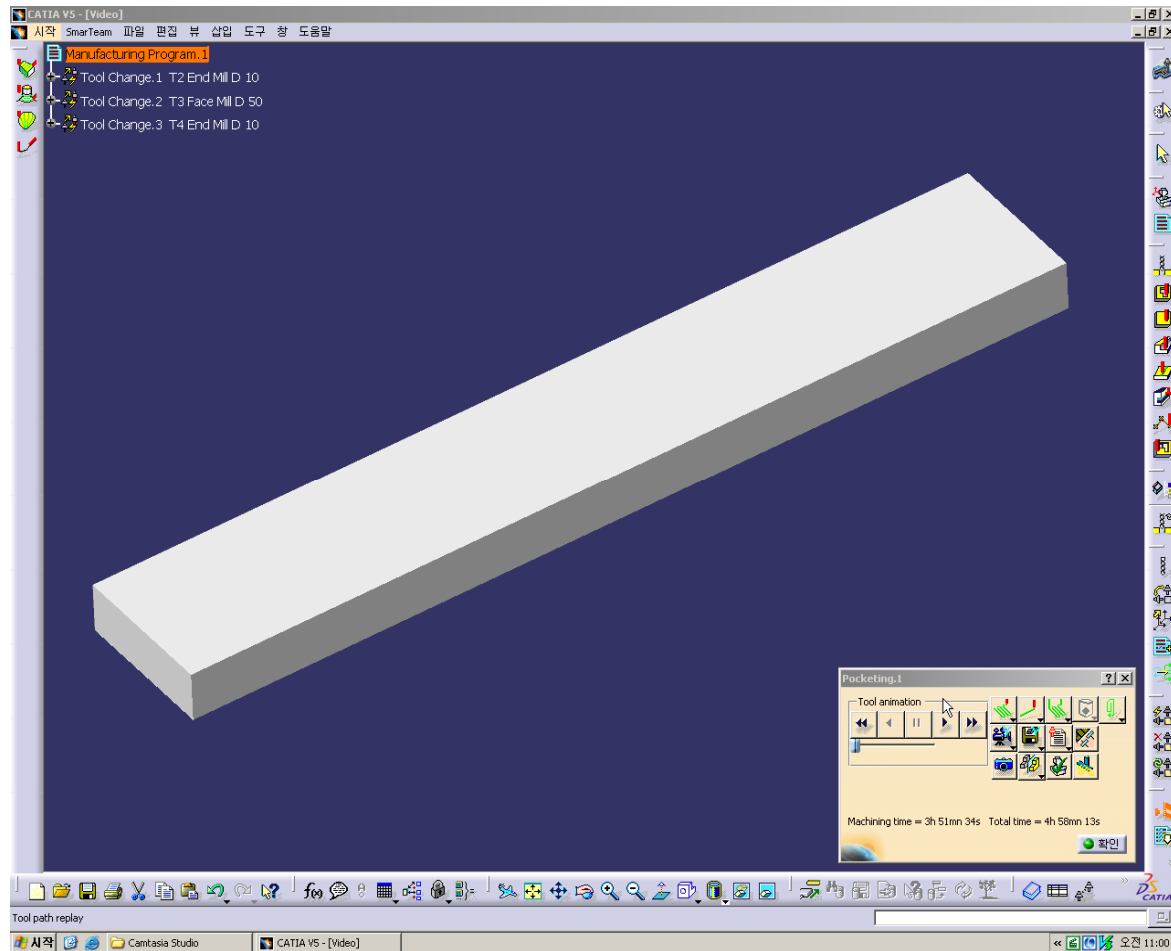
Prismatic Machining (cont.)

- Face milling



Prismatic Machining (cont.)

- Pocketing





Homework

- Will be posted on the web page