

Chatterless Switch

4190.309

2008 Fall Semester

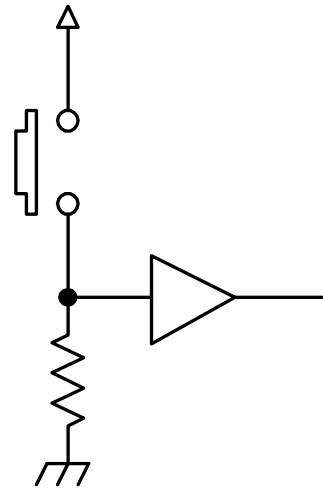
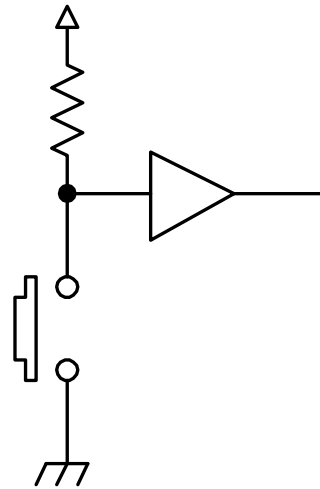
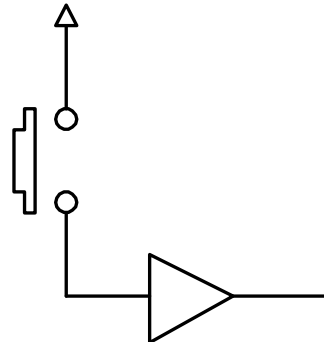
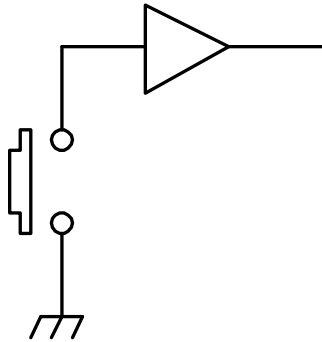
Naehyuck Chang
Dept. of EECS/CSE
Seoul National University
naehyuck@snu.ac.kr



Seoul National University

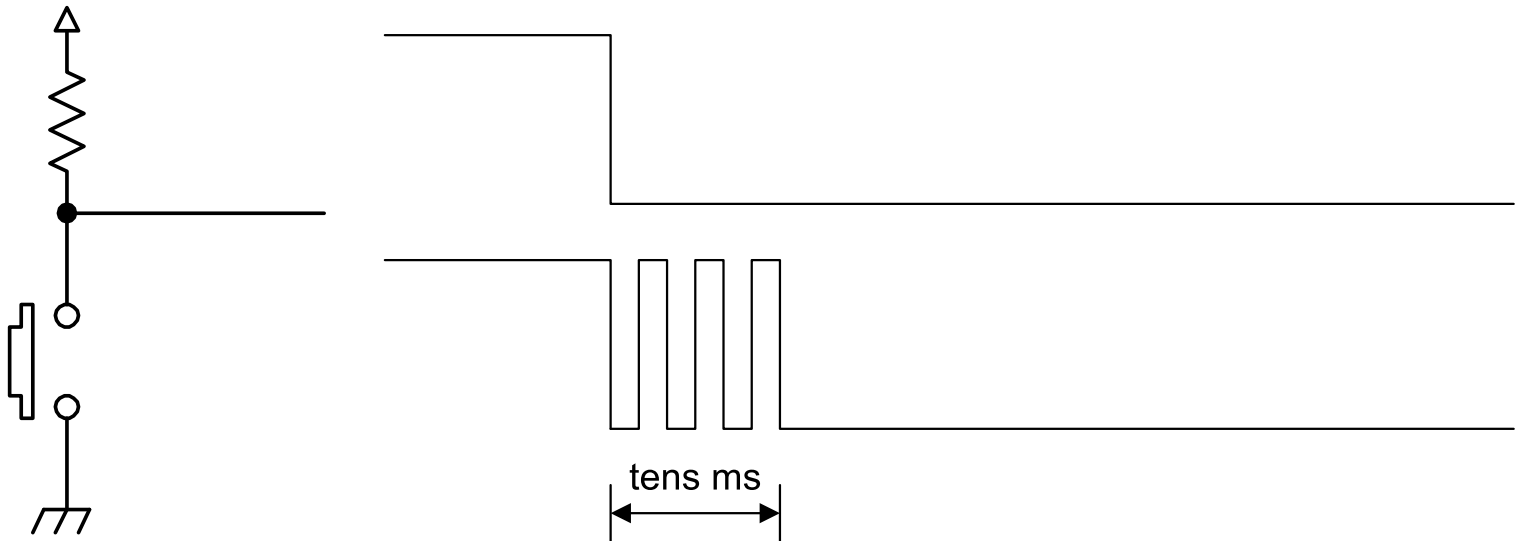
Switch interface

- Push button switch interface
 - Find correct one (s)



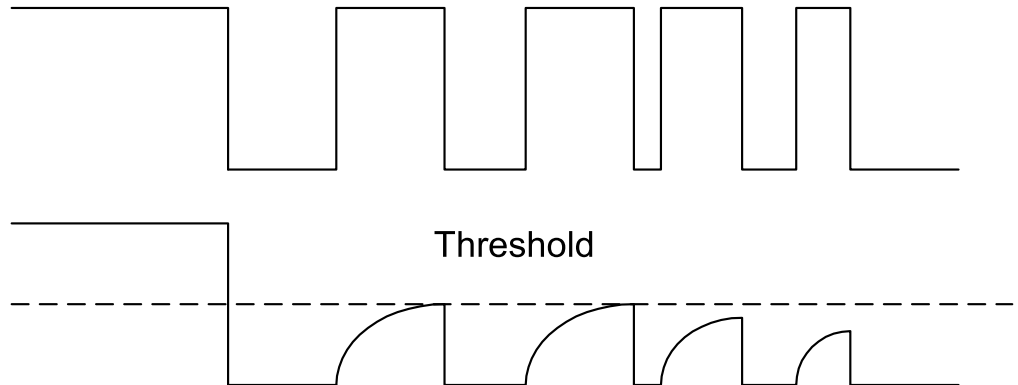
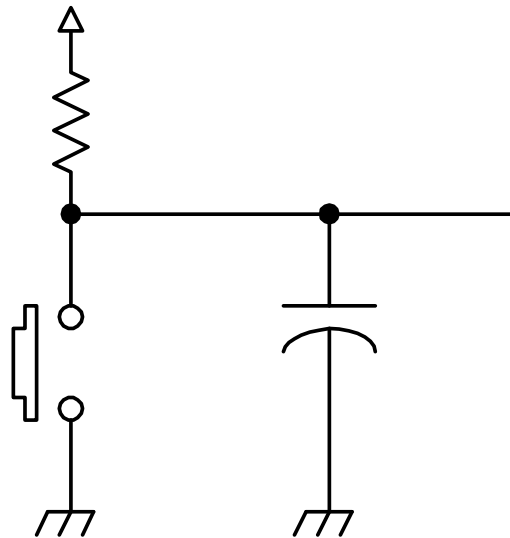
Chattering

- Mechanical switch



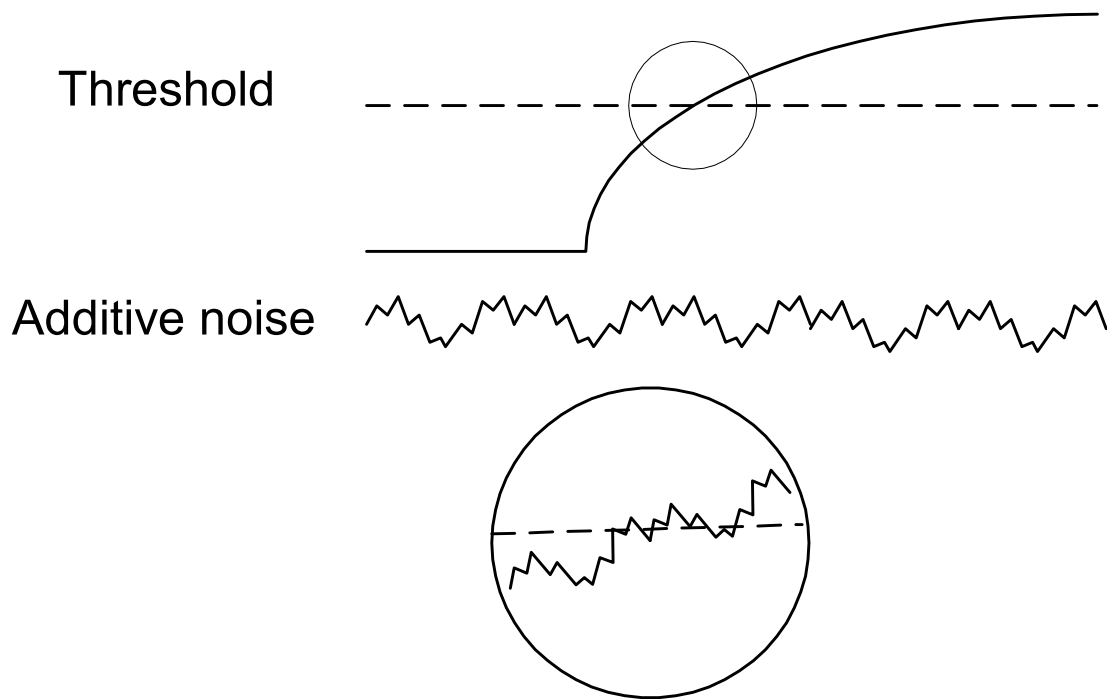
RC filtering

- 10% ~ 90% rise time is $2.2RC$.
- Large RC? Or small RC?



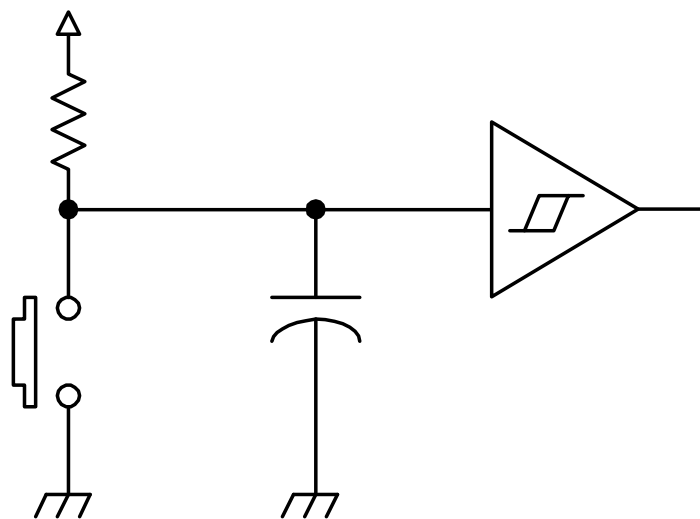
Real world

- Noise!



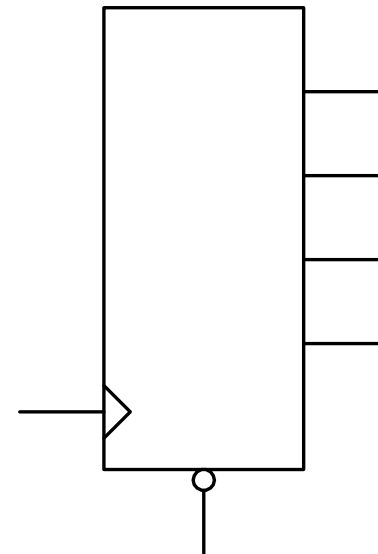
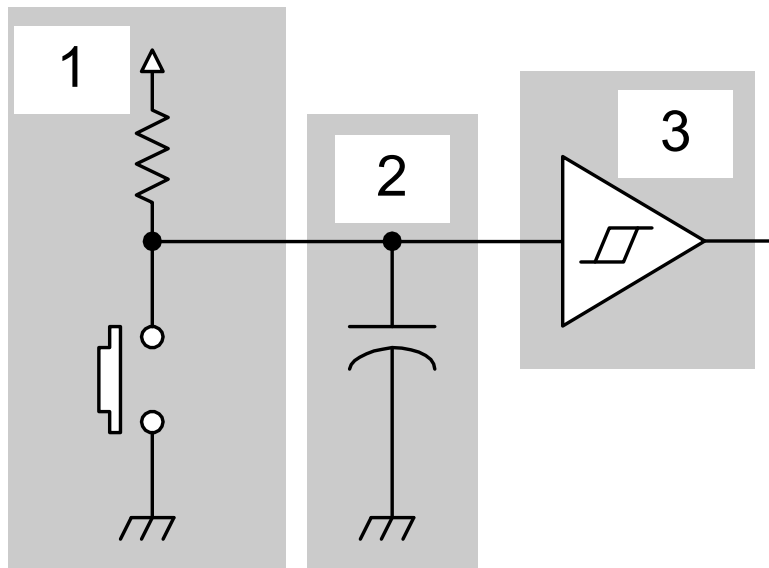
Solution

- Schmitt trigger (hysteresis)



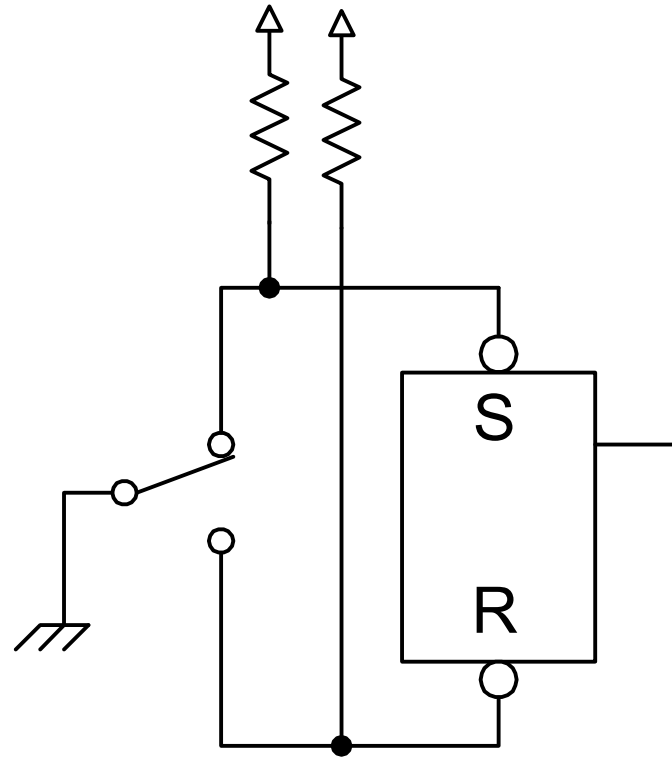
Chattering experiment

- Count chattering



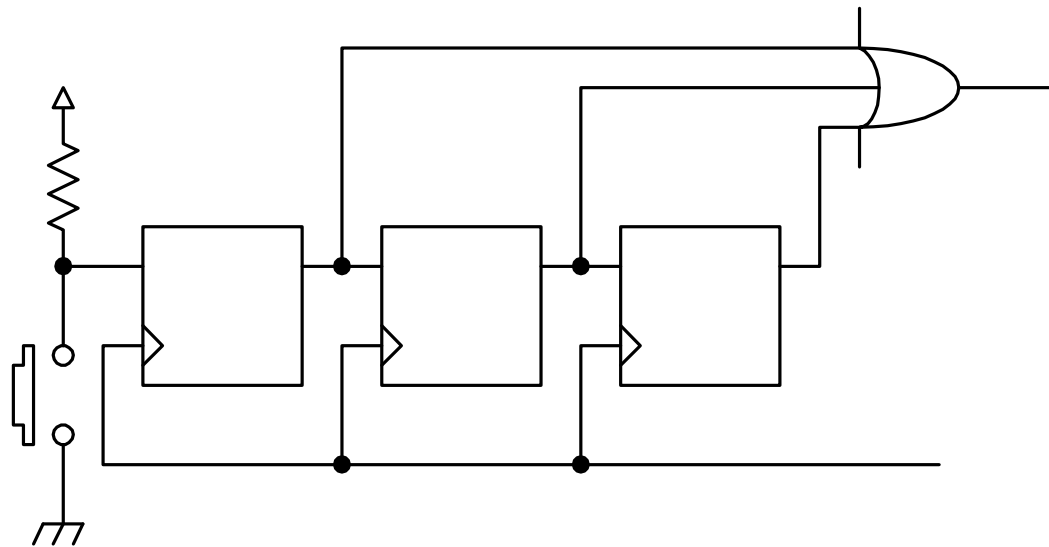
Other solutions

- Use RS flip flops
 - Make-before-break?
 - Break-before-make?



Digital filter

- Flip-flop abundant environments



Software solution

- Algorithm
 - Read switch
 - If pressed then
 - wait tens ms
 - read again

