

---

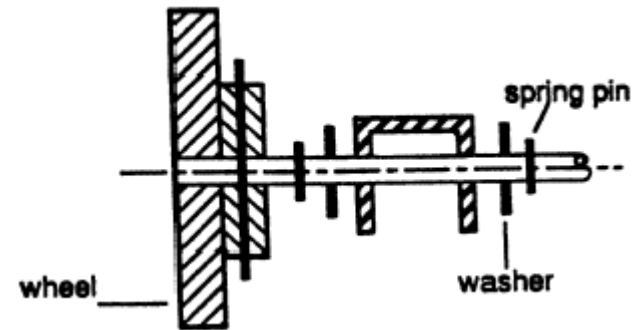
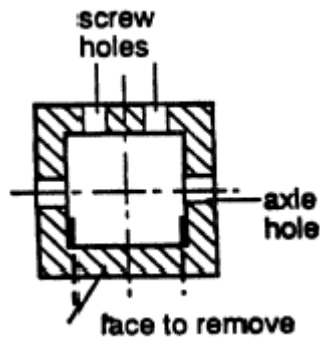
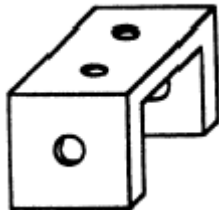
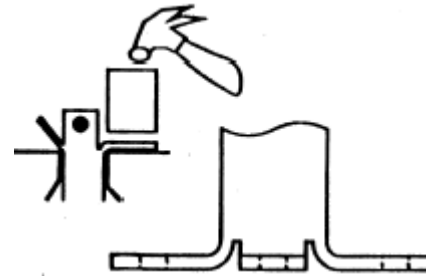
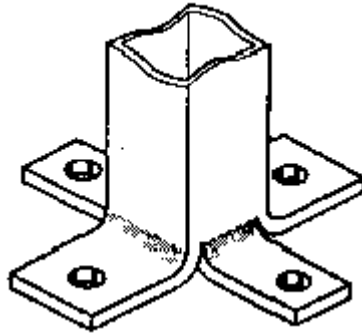
# **Machine Cooking**

**School of Mechanical and Aero. Eng.  
Seoul National University**

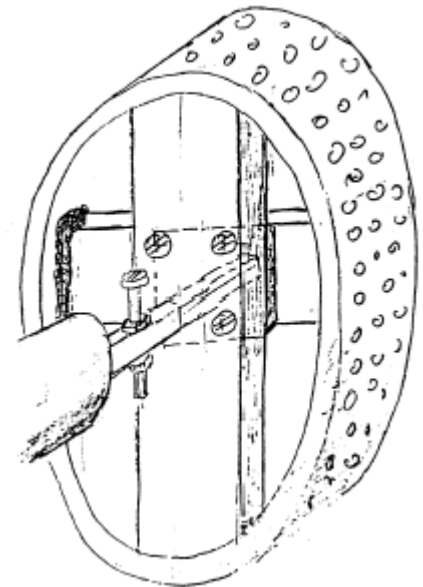
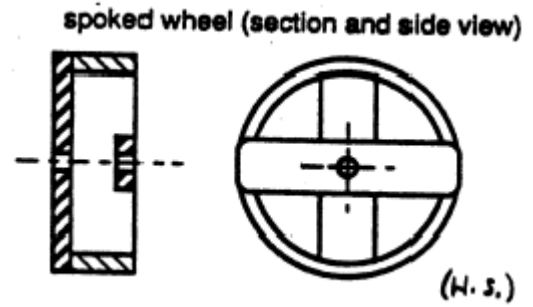
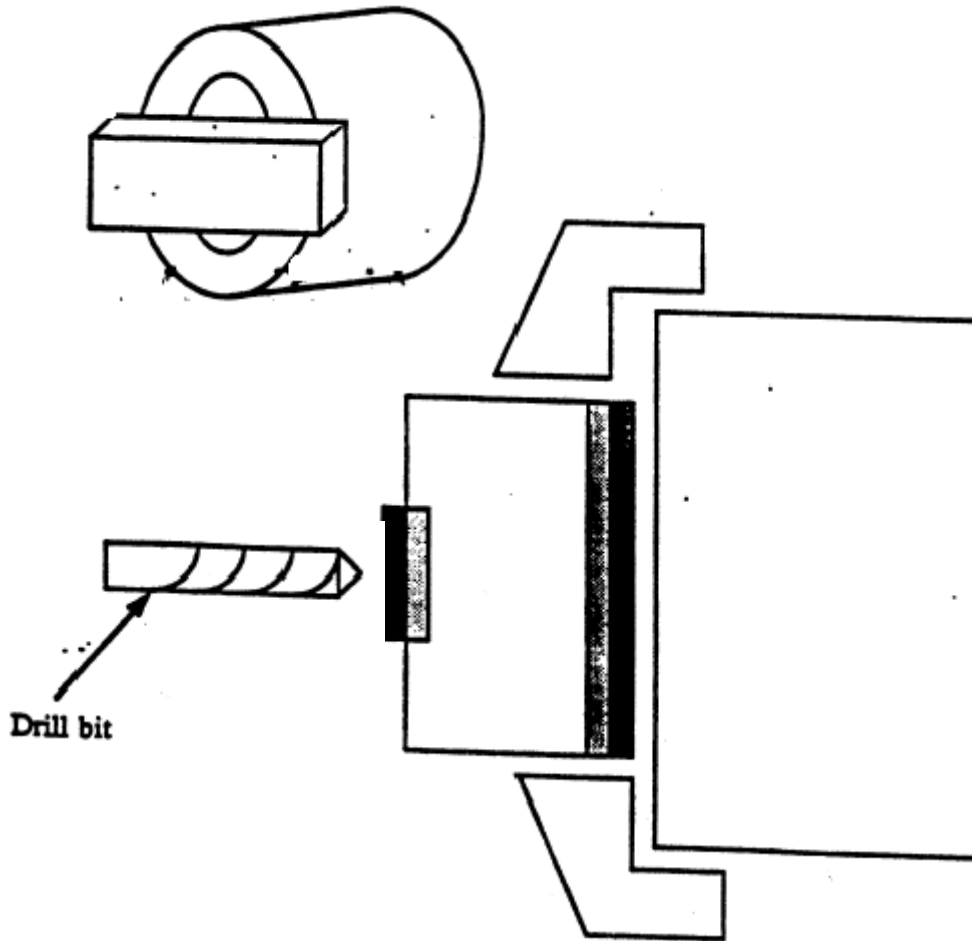
**Chong Nam Chu**

# Aluminum bar

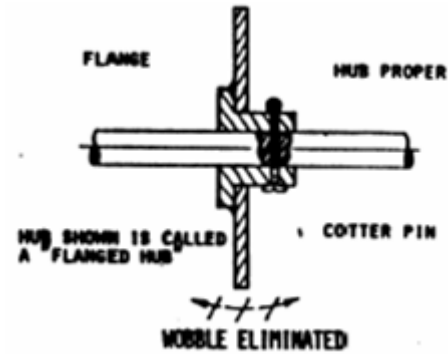
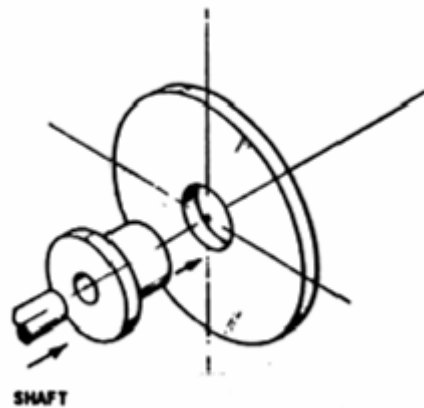
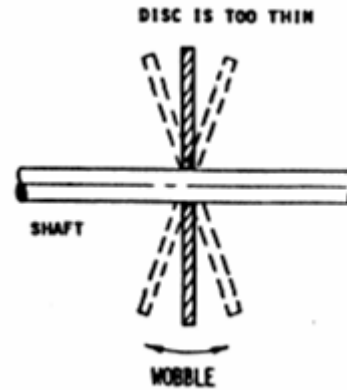
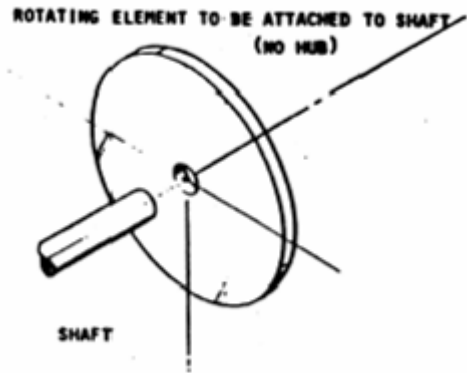
COLUMN BASE



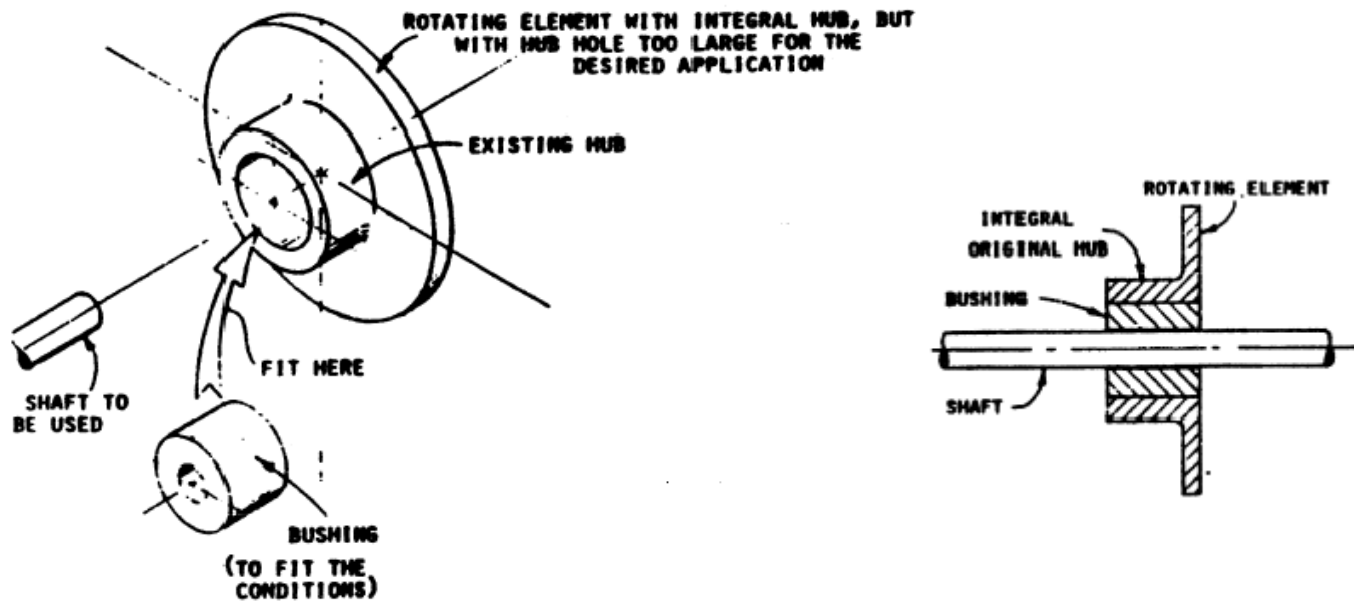
# Wheel



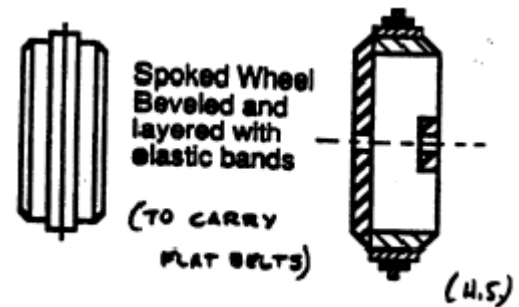
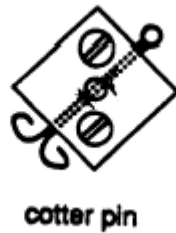
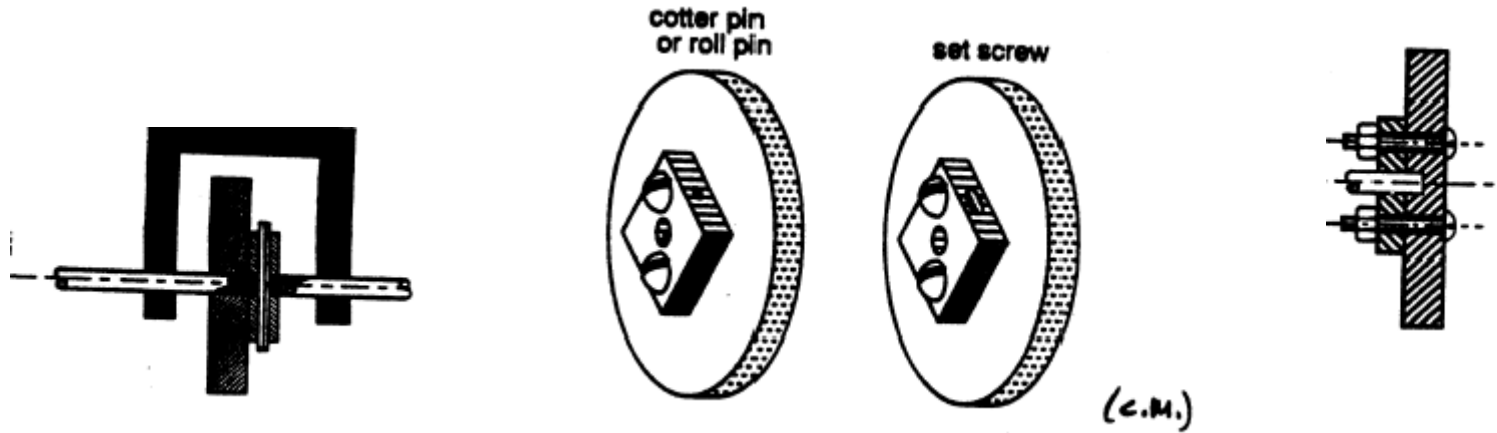
# Wheel hub



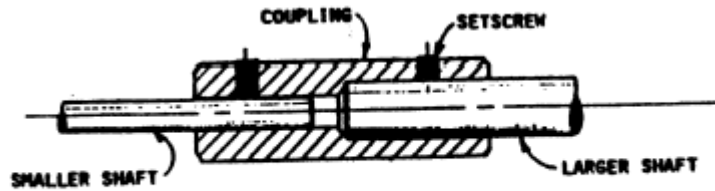
# Wheel bushing



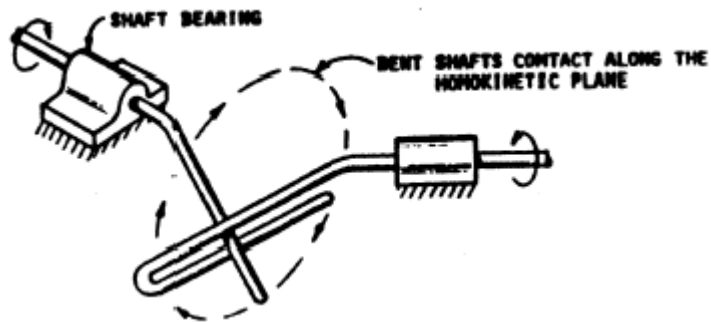
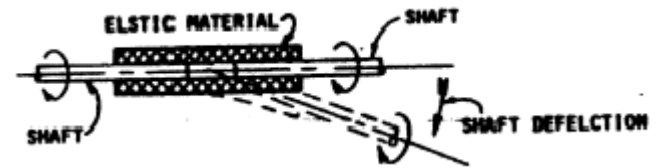
# Wheel examples



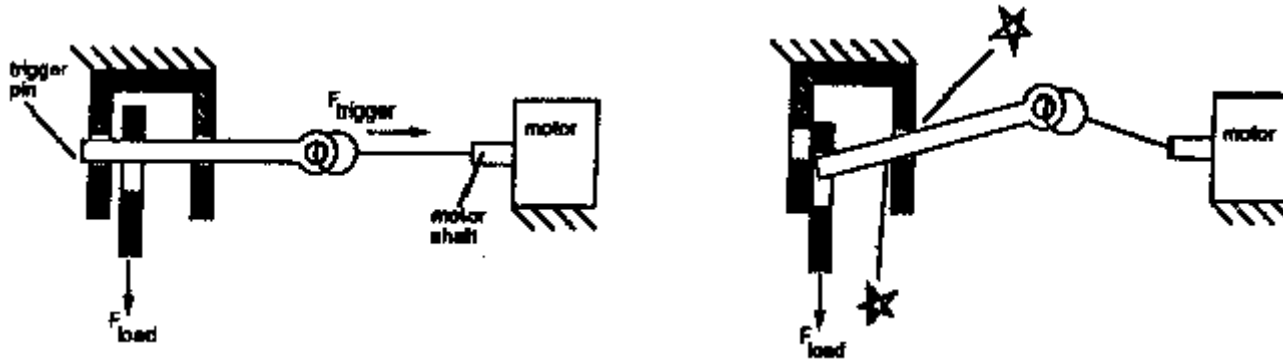
# Coupling



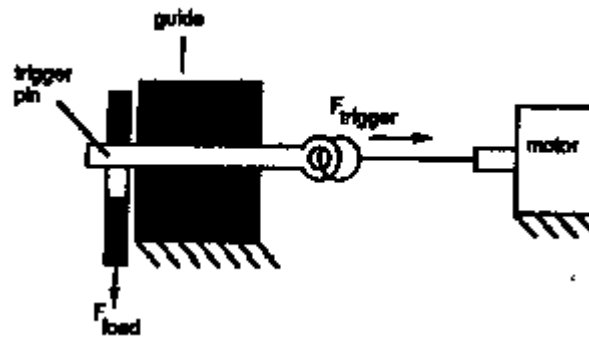
**RIGID COUPLING FOR SHAFTS OF DIFFERENT DIAMETERS**



# Trigger

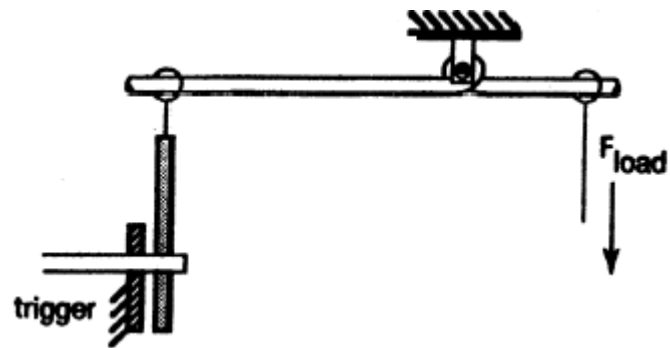
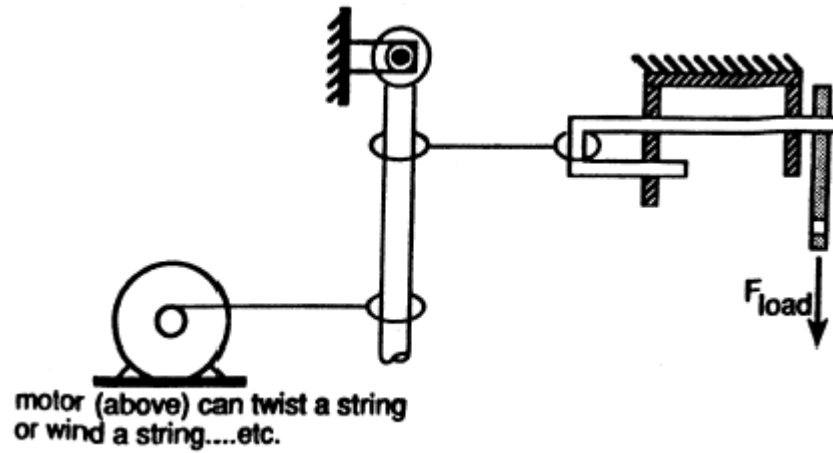


Trigger that doesn't:

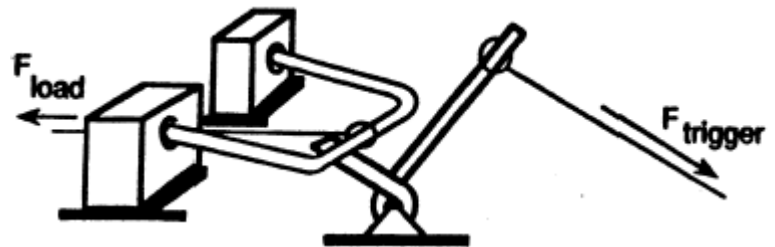
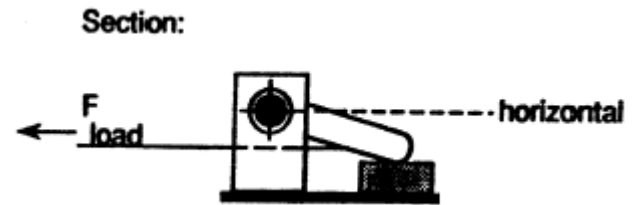
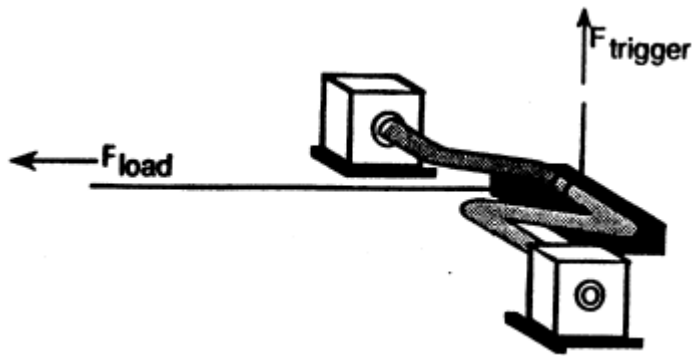




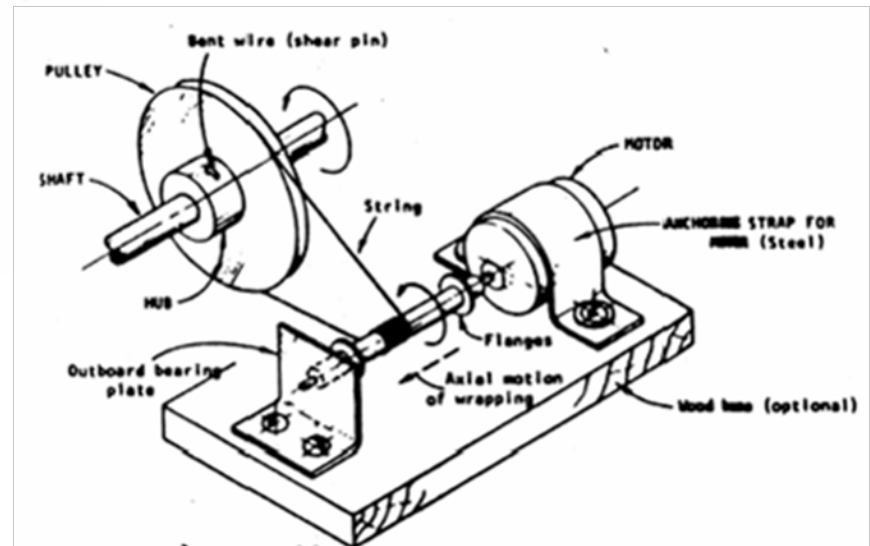
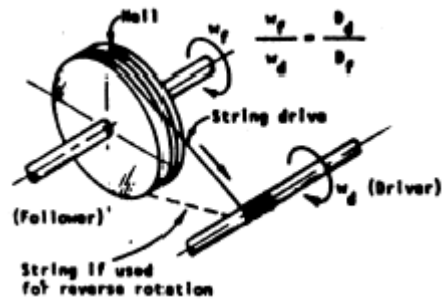
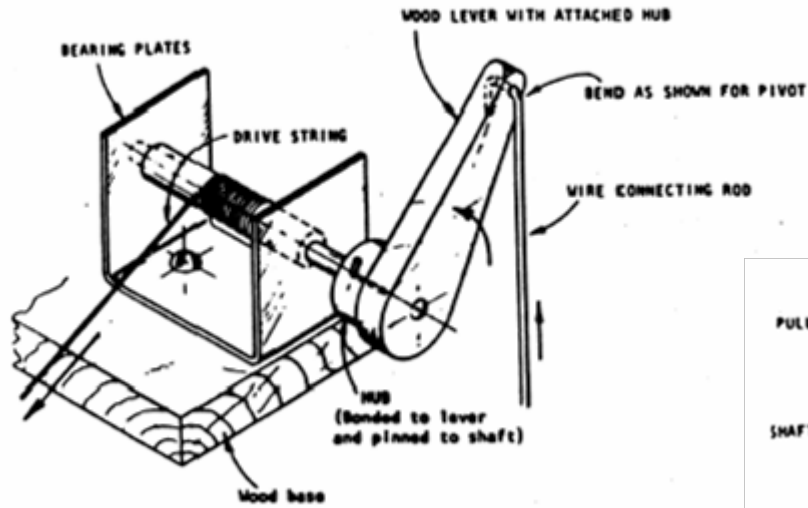
# Trigger



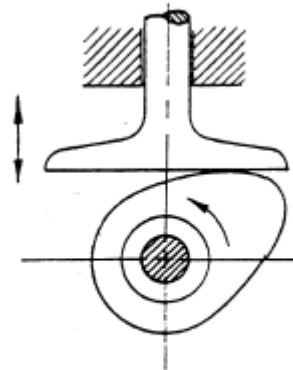
# Trigger



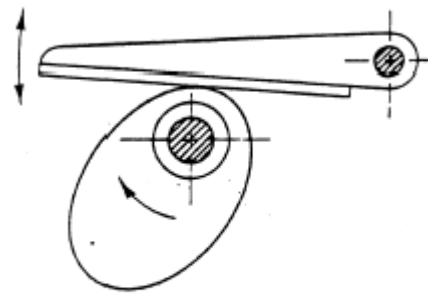
# Wire drive



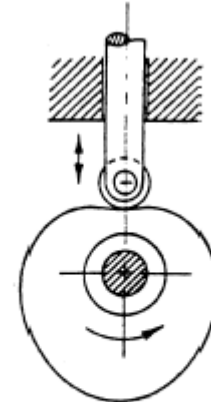
# Cam



Flat follower  
automotive-type cam



Pivoted flat  
follower



Roller follower  
heart-shaped cam.  
Used in sewing  
machines.

# Air cylinder

