

1-56.

Man – 75 kg, beam – 40 kg

Internal force on a section perpendicular to and midway between

a. A and B

b. B and C

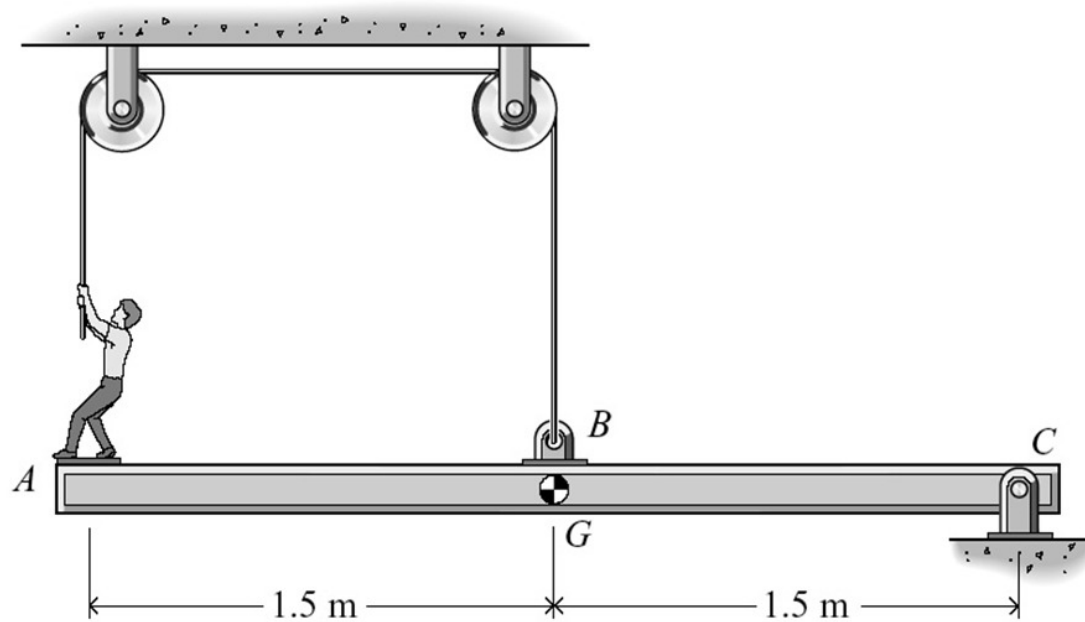


Figure P1-56

1-57.
Internal force on section a-a?

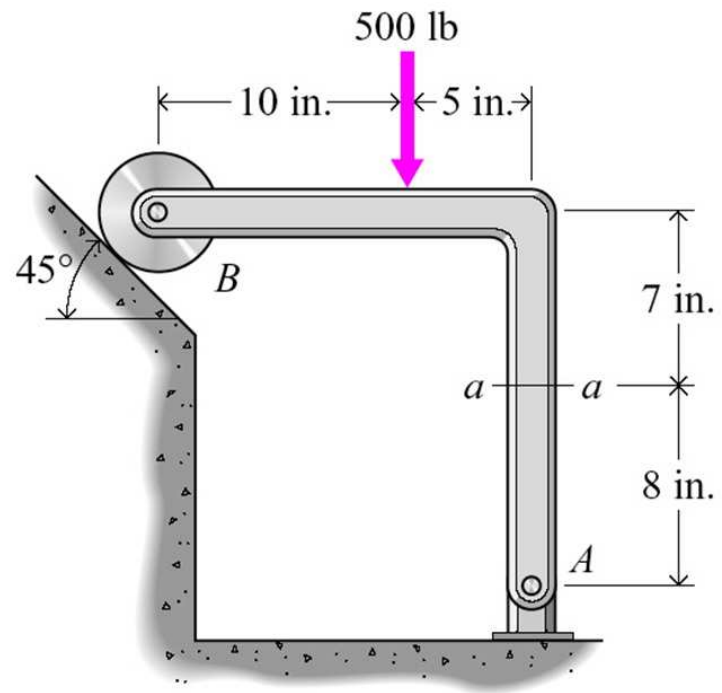


Figure P1-57

1-67.
Internal force on section a-a?

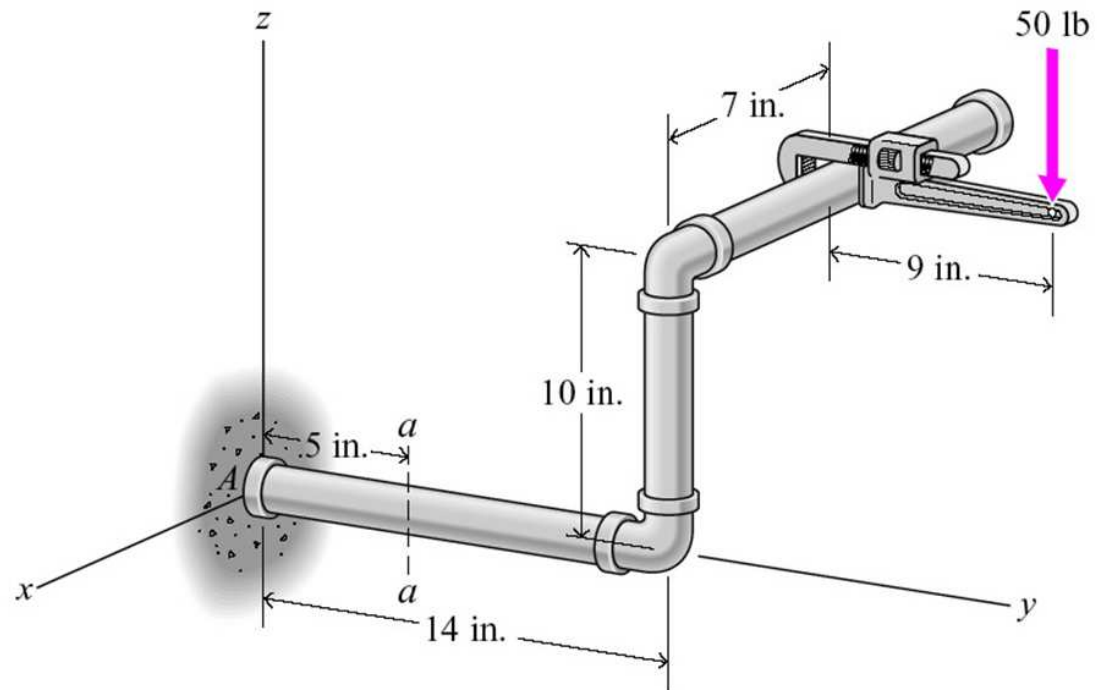


Figure P1-67

1-68.
Internal force on section a-a?

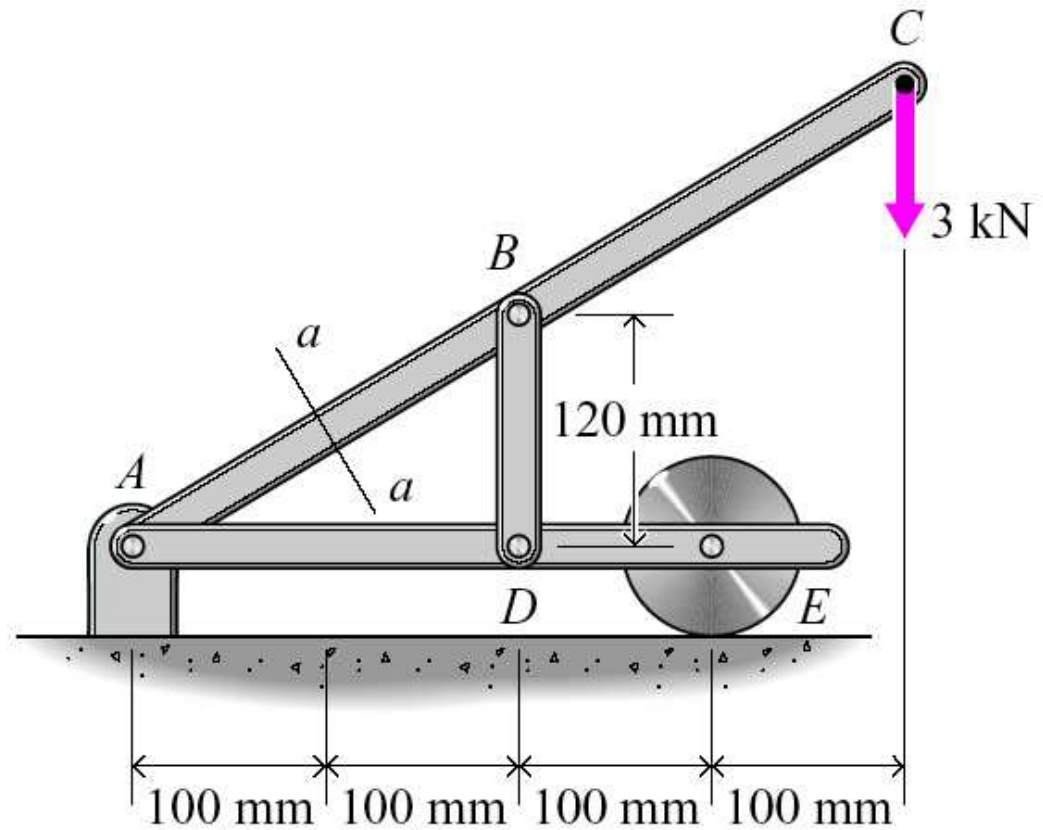


Figure P1-68